



Faro 60

Specification Sheet



UL STD 1598
IP66

LUMINAIRE FEATURES

Design and Application

- Architectural and landscape lighting
- Surface mount
- Spike mount for landscape
- Tree strap
- Rotatable spotlight with different optics
- Glare reduction accessory - snoot
- UL STD 1598, IP66, Wet location

Performance

- 2 axis adjustability (180°/95°)
- Base for feed through connection
- Clear tempered glass 4mm (1,8")
- Recessed lens for glare reduction
- High performance optics
- Anodized and painted body
- Aluminium construction
- Finish powder coat RAL9003/RAL7016
RAL9005 structure
- Base/Spike/Tree Strap installation
- Supplied with IP66 mini connector
- IK08
- CRI: > 85
- 3 Step MacAdam

Sustainability

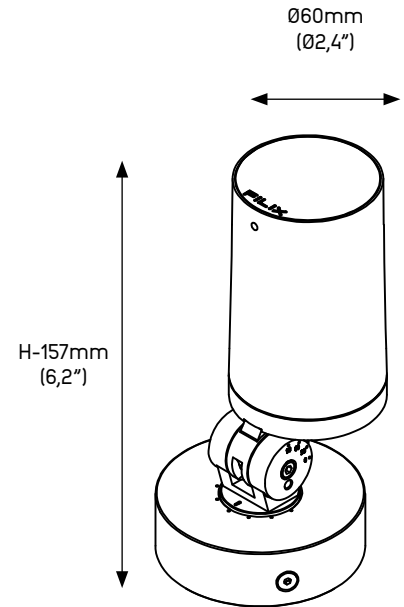
- Recyclable material
- Replaceable LED module
- Remote power supply

Accessories

- FRSNW - Snoot RAL9003
- FRSNAT - Snoot RAL7016
- FRSNB - Snoot RAL9005

Power supplies

- List of proposed power supplies that are to be ordered separately.
- Please click [link](#) for list of available drivers.



Click [here](#) to download fixture installation manual.

Click [here](#) to download CAD file.

Click [here](#) to download IES-LTD data.



Faro 60

ORDERING INFORMATION

MODEL

FFR60

POWER

L

- L - 8W, 2700K-4000K , 720lm

COLOR TEMP.

27

- 27 - 2700K

30

- 30 - 3000K

OPTICS

SP

- SP - Spot - 10°

FL

- FL - Flood - 30°

GR

- GR - Graze - 49° x 34°

SPX

- SPX - Spot - 10° + **Louvre**

FLX

- FLX - Flood - 30° + **Louvre**

GRX

- GRX - Graze - 49° x 34° + **Louvre**

FINISH

W

- W - RAL 9003 Structure (white)

AT

- AT - RAL 7016 Structure (grey antracite)

BK

- BK - RAL 9005 Structure (black)

OPTIONS

SK

- SK - Spike

ST

- ST - Tree Strap

ACCESSORIES

FRSNW

- FRSNW - Snoot RAL9003

FRSNAT

- FRSNAT - Snoot RAL7016

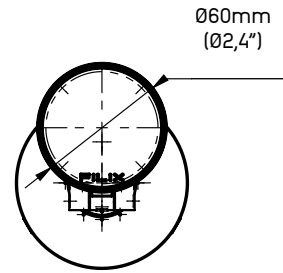
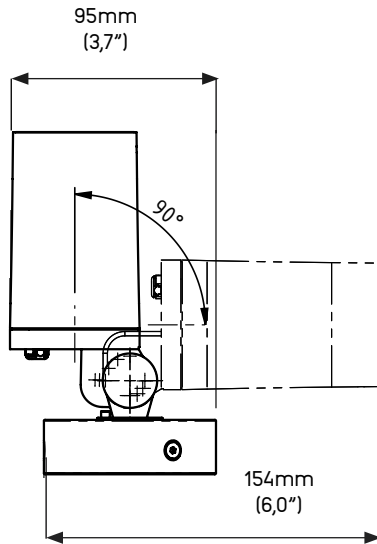
FRSNB

- FRSNB - Snoot RAL9005

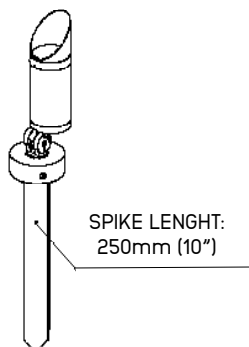


Faro 60

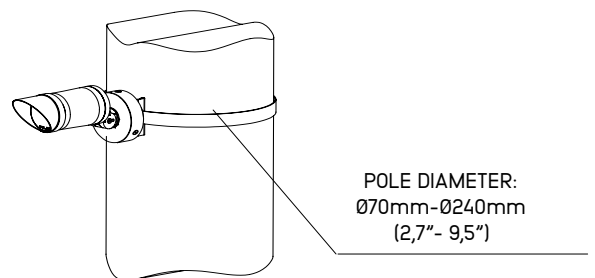
INSTALATION DETAILS



Spike (SK)



Tree strap (ST)



Note:
For details on specific depths, tiling thickness and other please refer to both Installation instructions for fixture and housing.