



Ion Switch

Specification Sheet



UL STD 1598
IP66

LUMINAIRE FEATURES

Design and Application

- Architectural and landscape lighting
- Surface mount
- Anchor installation
- 4 apertures, 5 light effects
- Switch for angle adjustment
- UL STD 1598, IP66, Wet location

Performance

- Aluminum structure body
- Anodized and painted body
- Base for feed through connection
- Recessed lens
- On site head movement 360°
- Constant voltage 120-240 VAC
- Finish powder coat RAL9003/RAL7016/
RAL9005 structure
- IP55 junction box
- IK10
- Lifetime TM-21 @85C L90(9K)=60500h
- CRI: > 85
- 2 Step MacAdam

Sustainability

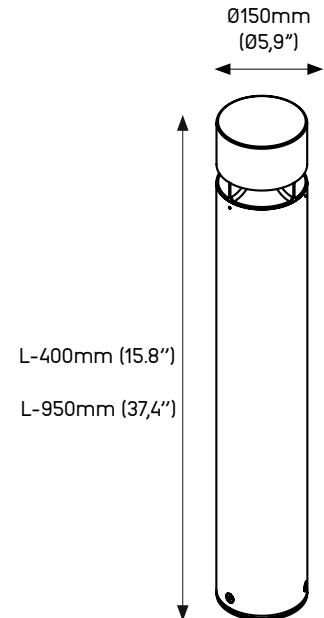
- Recyclable material
- Replaceable LED module

Accessories

- 201846 - Installation Anchor

Power supplies

- Integrated power supply
- Click [here](#) for list of available drivers.
- Click [here](#) for voltage drop and distances.



Click [here](#) to download fixture installation manual.

Click [here](#) to download CAD file.

Click [here](#) to download IES-LTD data.



Ion Switch

ORDERING INFORMATION

MODEL	
FIN	
HEIGHT	
M	• M - 15,8" (400mm)
L	• L - 37,4" (950mm)
POWER	
L	• L -23W, 2700K-4000K, 865lm (360 degrees)
COLOR TEMP.	
27	• 27 - 2700K
30	• 30 - 3000K
40	• 40 - 4000K
OPTICS	
QM	• QM - 0-360° - switch
FINISH	
W	• W - RAL 9003 Structure (white)
AT	• AT - RAL 7016 Structure (grey antracite)
BK	• BK - RAL 9005 Structure (black)
OPTIONS	
D	• D - DALI
V	• V - 0-10V



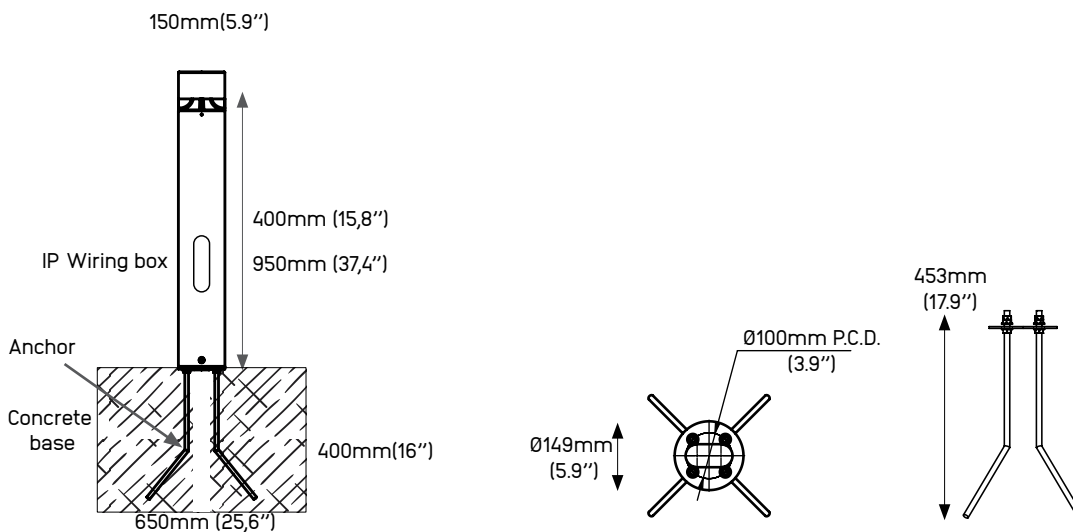
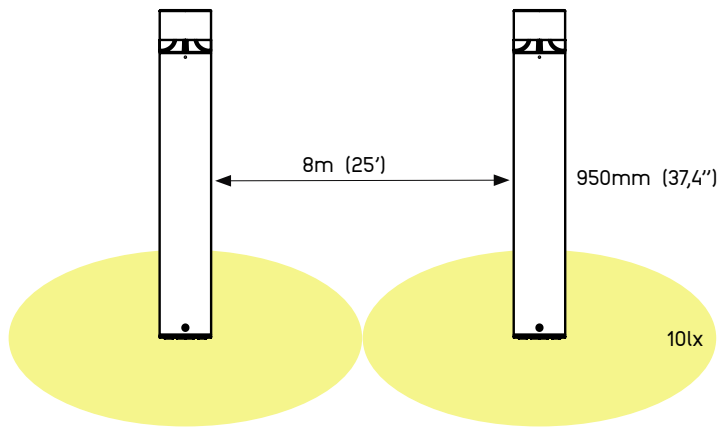
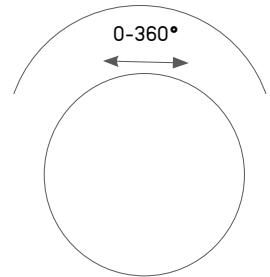
Ion Switch

INSTALLATION DETAILS

MANUAL ON SITE LIGHT INTENSITY/DISTRIBUTION SWITCH



ON SITE HEAD MOVEMENT 360° WITH LOCK
Allows ON SITE manual head adjustment for change of light distribution angle or fine tuning.



Note:
For details on specific depths, tiling thickness and other please refer to both Installation instructions for fixture and housing.