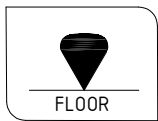
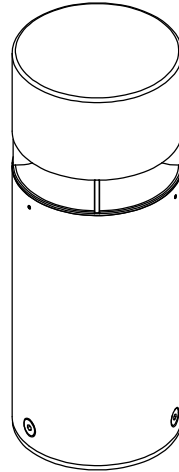


ION

INSTALLATION INSTRUCTIONS (FIXTURE)



All dimensions are given according to the SI system of units (mm, kg, °C), additional dimensions that are written in brackets, are given according to the U.S. measurement system (in, lbs, °F)

GENERAL REMARKS ON SAFETY

- READ ALL OF THESE INSTRUCTIONS BEFORE INSTALLING FIXTURES.
- KEEP ALL OF THE INSTRUCTIONS FOR FUTURE REFERENCE.
- INSTALLATION IS TO BE PERFORMED BY A QUALIFIED ELECTRICIAN ONLY.
- ALL INSTALLATIONS ARE TO CONFORM TO THE STANDARDS OF THE NATIONAL ELECTRICAL CODE AS WELL AS ALL LOCAL JURISDICTIONAL CODES AND REGULATIONS.
- PRODUCT MUST BE INSTALLED IN ACCORDANCE WITH THE APPLICABLE INSTALLATION CODE BY A PERSON FAMILIAR WITH THE CONSTRUCTION AND OPERATION OF THE PRODUCT AND THE HAZARDS INVOLVED.
- TURN OFF POWER BEFORE INSTALLING FIXTURE.
- DO NOT OPEN THE LUMINAIRE AS IT WILL ANNUL THE IP RATING OF LUMINAIRE AND VOID THE WARRANTY.
- THE SURFACE TEMPERATURE OF THE FIXTURE IS $\approx 40^{\circ}\text{C}$ (104°F) AND IMPOSES NO LIMITS ON INSTALLATION.
- CALCULATE THE MAXIMUM POWER CONSUMPTION AND USE APPROPRIATELY SIZED DRIVERS/CONTROLLERS.
- THE EXTERNAL FLEXIBLE CABLE OR CORD OF THIS LUMINAIRE CANNOT BE REPLACED; IF THE CORD IS DAMAGED, THE LUMINAIRE WILL NO LONGER BE USABLE, AND THE LUMINAIRE MUST BE REPLACED.

WARRANTY

ALL PRODUCTS ARE FACTORY TESTED AND ARE GUARANTEED FREE FROM FACTORY DEFECT FOR A PERIOD OF 36 MONTHS UNDER FOLLOWING TERMS:

- PRODUCT HAS NOT BEEN SUBJECT TO INCORRECT VOLTAGE OR POLARITY CONNECTION.
- PRODUCT HAS NOT BEEN SUBJECT TO PHYSICAL OR ATMOSPHERIC DAMAGE.
- PRODUCT HAS BEEN RETURNED AND FACTORY EVALUATED FOR DEFECT OR MALFUNCTION.
- ALL DRIVERS AND CONTROLLERS ARE APPROVED FOR USE BY FILIX.
- THE LUMINAIRE FACTORY SEAL (IP RATING) HAS NOT BEEN COMPROMISED

THE MANUFACTURER ACCEPTS NO RESPONSIBILITY FOR DAMAGE TO PERSONS OR PROPERTY ARISING THROUGH IMPROPER USE OR INSTALLATION.

ANY MODIFICATION OF THE LUMINAIRE WILL VOID ANY AND ALL WRITTEN OR IMPLIED WARRANTIES.

STANDARD REPLACEMENT AND NORMAL SERVICING TERMS.

ALL ELECTRONIC AND OTHER CONSUMABLE COMPONENTS ARE SUBJECT OF EXCHANGE AFTER 36 MONTHS OF OPERATIONS. PRODUCT PERFORMANCE DEPENDS OF CRITICAL ELECTRONIC AND OTHER COMPONENTS WHICH CAN BE SERVICED WITH OFFICIAL DEALER OR DIRECTLY WITH THE MANUFACTURER.

MANUFACTURER HOLDS THE RIGHT TO REPAIR AND CHANGE COMPONENTS AS PER CURRENT COMPONENT AVAILABILITY.

MANUFACTURER CANNOT BE HELD LIABLE FOR COMPONENTS AND OTHER EXPENSES (DE-INSTALLATION, INSTALLATION, SHIPPING, ETC.) INCURRED DURING THE PROCESS OF PRODUCT IMPROVEMENT AND SERVICING.

THE LIGHT SOURCE CONTAINED IN THIS LUMINAIRE SHALL ONLY BE REPLACED BY THE MANUFACTURER OR HIS SERVICE AGENT OR A SIMILAR QUALIFIED PERSON.

WIRING

WIRE MARKINGS

OPTION WITH SINGLE LED COLOR

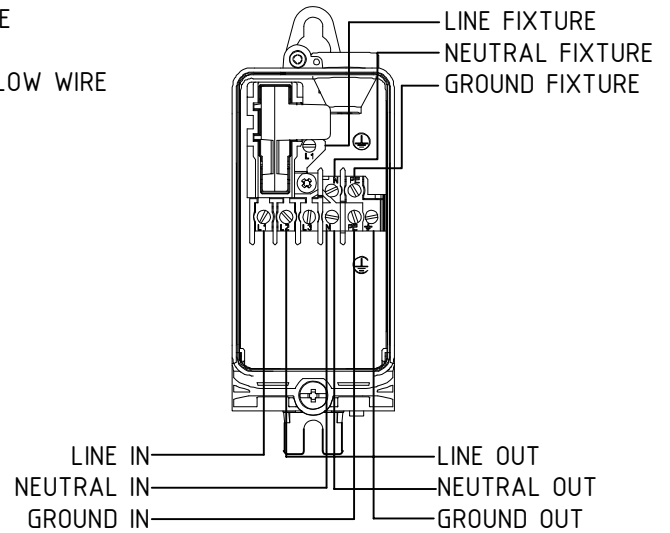
L BROWN WIRE
N BLUE WIRE
GND GREEN/YELLOW WIRE

FIXTURE VOLTAGE:
230 (V) AC

OPTION WITH SINGLE LED COLOR (DALI CONTROLLER)

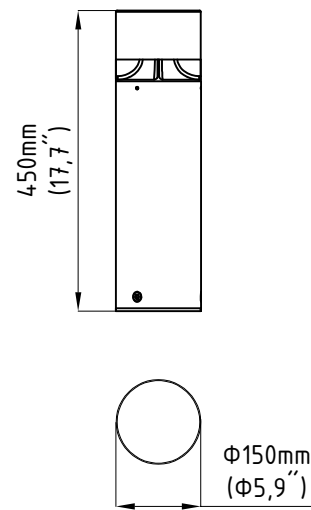
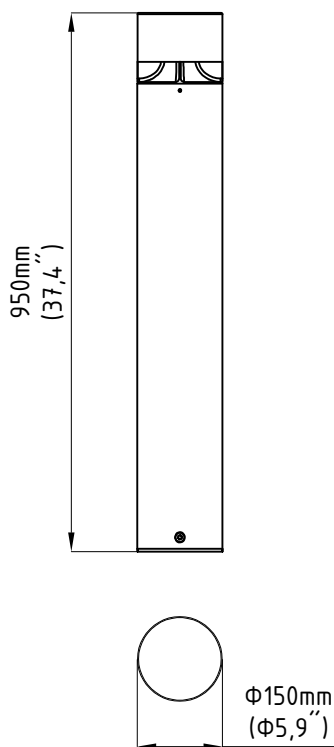
L BROWN WIRE
N BLUE WIRE
GND GREEN/YELLOW WIRE
+ DALI BLACK
- DALI WHITE

FIXTURE VOLTAGE:
230 (V) AC

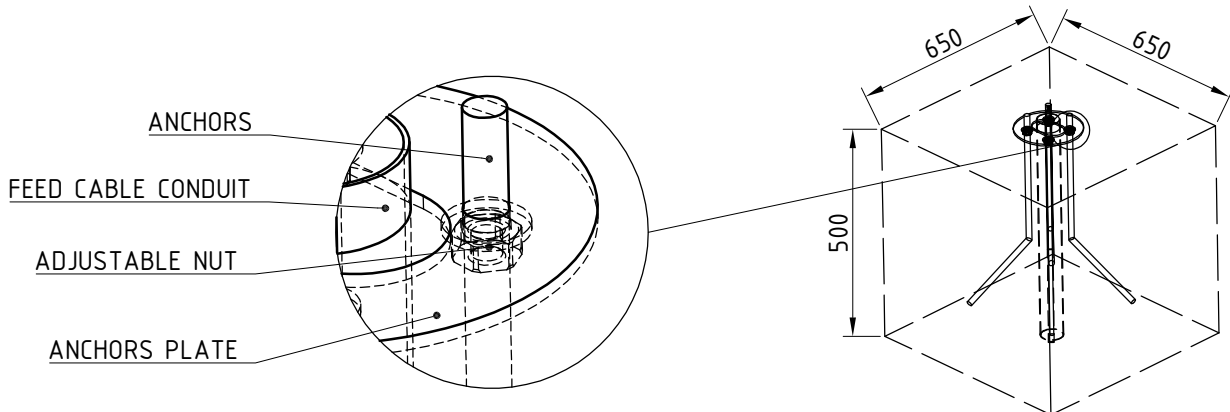


NOTE:
WHERE LUMINAIRE IS DELIVERED WITH CONNECTING LEADS AND WITHOUT A MEANS OF CONNECTION TO THE POWER SUPPLY TERMINAL BLOCKS MAY BE USED (TERMINAL BLOCKS NOT SUPPLIED BY MANUFACTURER). TERMINAL BLOCKS SHALL BE IN THE SAME IP RATING AS THE LUMINAIRE ITSELF, WITH RATED VOLTAGE OF MIN. 400 V AND RATED CONNECTION CAPACITY OF 10A. CONNECTION WIRE ENDS COMING FROM POWER SUPPLY TO BE PREPARED AS TERMINAL BLOCK MANUFACTURER RECOMMENDS. TERMINAL BLOCK SHOULD BE PLACED IN A LOCATION WHERE IT DOESN'T NOT AFFECT THE LUMINAIRE OPERATION.

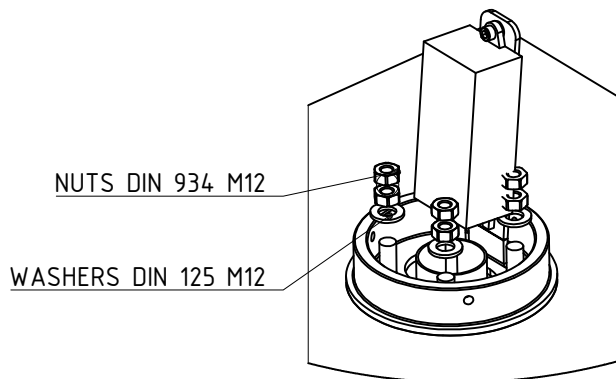
FIXTURE DIMENSIONS



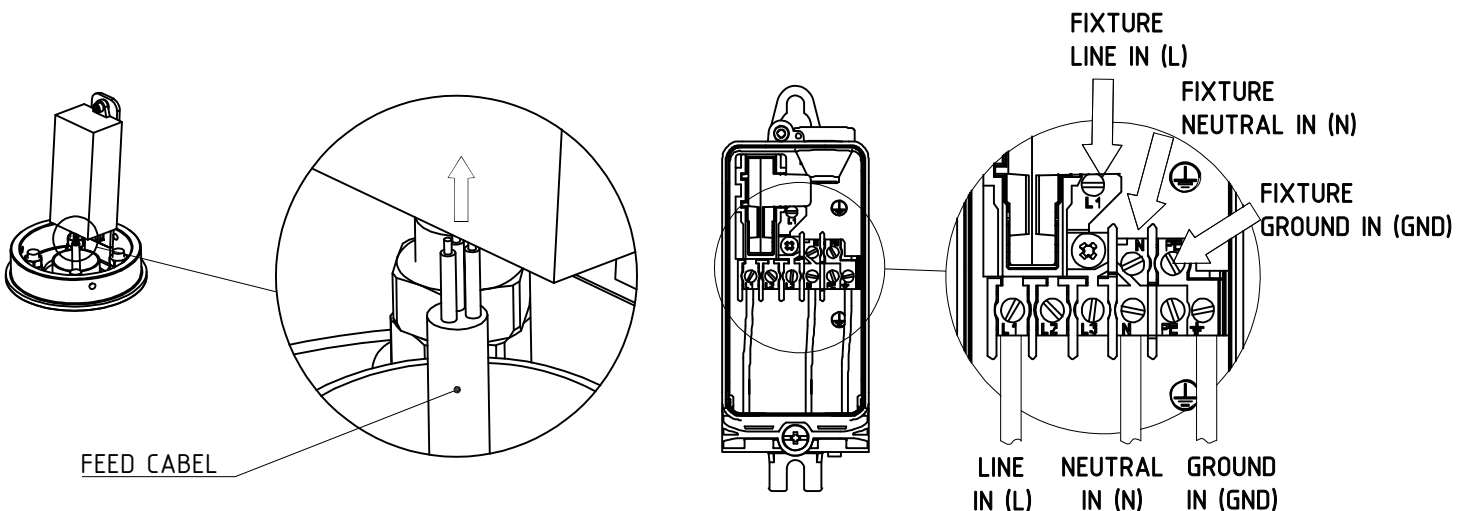
1. PREPARE LOCATION FOR BOLLARD PLACEMENT AND POUR CONCRETE AROUND ANCHOR PLATE ASSEMBLY AS PER DETAIL BELLOW.



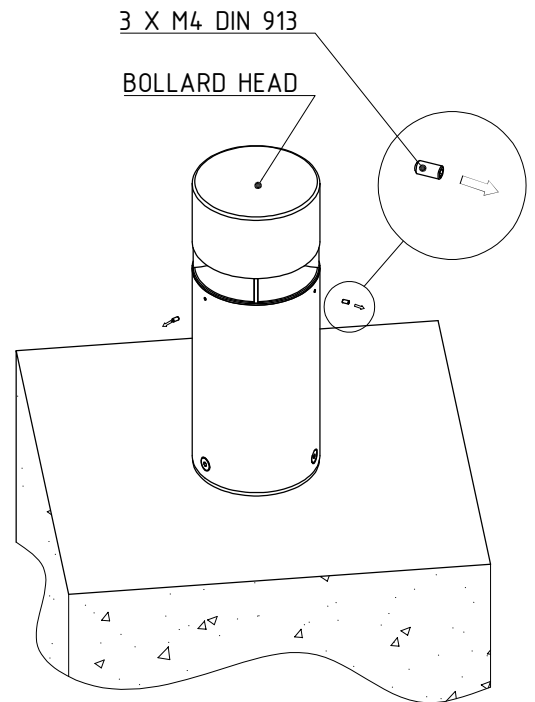
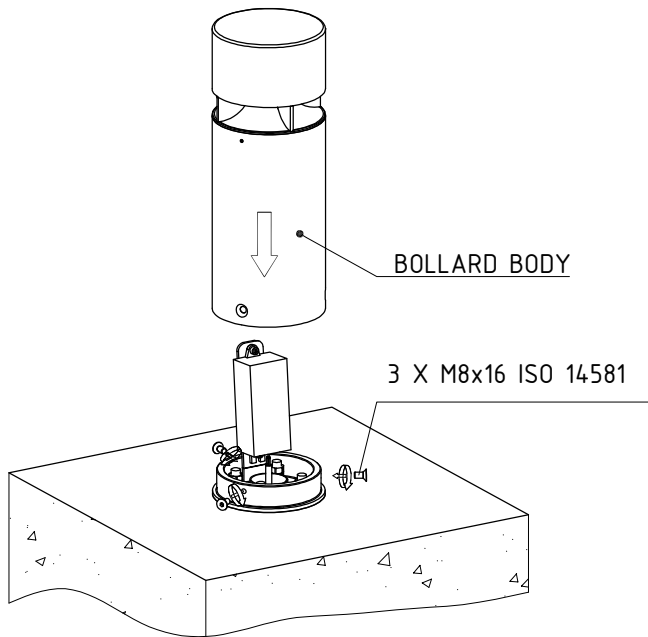
2. ONCE CONCRETE IS CURED REMOVE THE NUTS AND WASHERS FROM ANCHORS AND PLACE BOLLARD BASE ON TOP OF THE ANCHORING PLATE. FASTEN THE NUTS ONCE AGAIN TO FIX THE BOLLARD BASE.



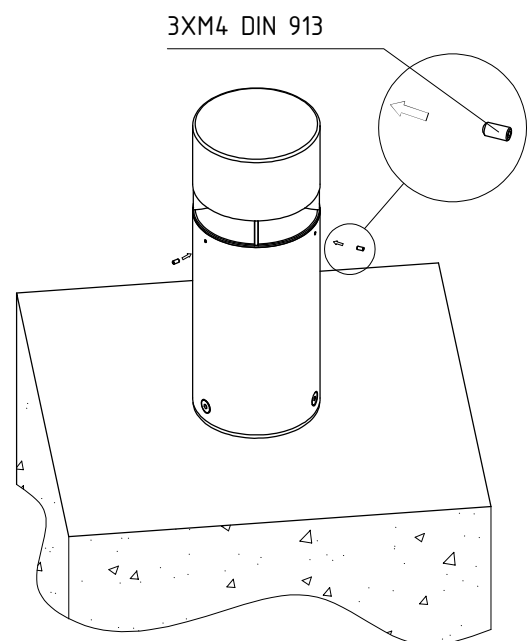
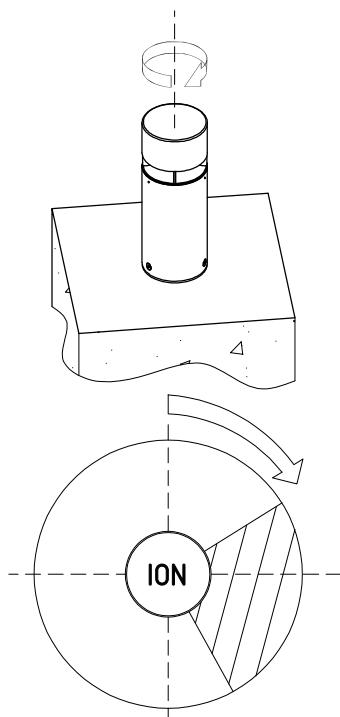
3. WHEN BOLLARD BASE IS FIXED ROUTE THE CABLE IN THE JUNCTION BOX AND CONNECT THE WIRES TO THEIR DESIGNATED SLOTS AS SHOWN IN DETAIL (CONNECTION SHALL BE DONE BY QUALIFIED ELECTRICIAN)
4. FOR DALI OPTION PREPARE FEED CABLE AND CONNECT FEED CABLE TO FIXTURE DALI CABLE



5. MOUNT THE BOLLARD BODY ON TOP OF THE BOLLARD BASE AND FASTEN IT USING THREE MACHINE SCREWS M8x16 ISO 14581 (SCREWS SUPPLIED BY MANUFACTURER)
6. DISASSEMBLE THE BOLLARD HEAD BY REMOVING THREE MACHINE SCREWS M4x8 DIN 913 FROM THE SIDES (SCREWS SUPPLIED BY MANUFACTURER)



7. FOR OPTION WITH TACT SWITCH ADJUST SEE LIGHT ADJUSTING SECTION
8. MOUNT THE BOLLARD HEAD ON TOP OF THE BODY AND TURN HEAD TO GET DESIRE LIGHT DIRECTION AND FASTEN THE THREE SCREWS (PREVIOUSLY REMOVED) TO FIX HEAD



TACT SWITCH LIGHT ADJUSTING

1. PRESS BUTTON FOR 5 SECONDS TO GET IN THE LIGHT SECTOR MENU (FIXTURE WILL FLASH AS A CONFIRMATION FOR ENTERING IN THE LIGHT SECTOR MENU)
2. PRESS BUTTON TO CHANGE LIGHT SECTORS
3. AFTER LIGHT SECTORS IS SET, PRESS BUTTON FOR ANOTHER 5 SECOND TO CONFIRM DESIRED LIGHT SECTOR AND TO GET IN DIMMING MENU (FIXTURE WILL FLASH AS A CONFIRMATION FOR ENTERING IN THE DIMMING MENU)
4. PRESS BUTTON TO GET ONE OF 5 LEVELS OF DIMMING (20%, 40%, 60%, 80%, 100%) WHEN DIMMING IS SET PRESS BUTTON FOR 5 SECOND TO CONFIRM DIMMING STATE (FIXTURE WILL FLASH AS A CONFIRMATION TO EXIT THE DIMMING MENU)

