



# Arpool S Projector

Specification Sheet



## UL STD 676

water feature and fountain rated

## IP68

### LUMINAIRE FEATURES

#### Design and Application

- Installation depth max. up to 3m (10')
- Glare reduction accessory - snoot
- DMX, DALI, 0-10V compatible (remote)
- Surface mount (floor/wall) installation
- Underwater architectural / landscape lighting
- Fountains and water features

#### Performance

- IK10, Tempered glass, crystal clear
- Chlorine and saline environment
- Stainless Steel type 316L, marine grade
- Galvanic current protection
- Thermal fold back technology
- Lifetime TM-21 @85C L80(10K)=60500h
- Supplied with oil and water resistant 3m (10') feed cable as standard
- CRI: > 85
- 3 Step MacAdam

#### Safety

- Remote power supply
- Low voltage operation

#### Sustainability

- Recyclable material

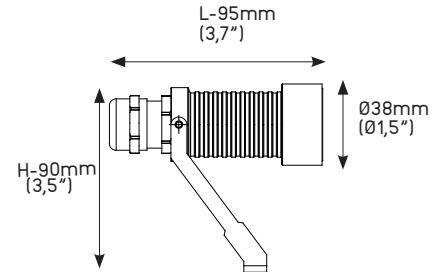
#### Accessories

- 202865 - Adjustable waterproof wall duct 17mm-25mm (0,66" - 0,98")

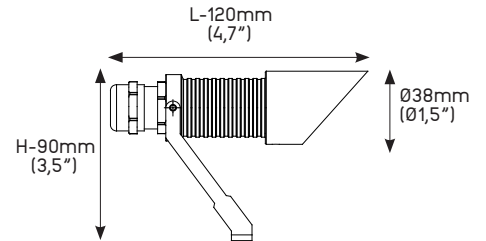
#### Power supplies

- List of proposed power supplies that are to be ordered separately.
- Click [here](#) for list of available drivers.
- Click [here](#) for voltage drop and distances.

FASP



FASPS



#### Note

Underwater luminaire – must be constantly submersed.

Click [here](#) to download fixture installation manual.

Click [here](#) to download CAD file.

Click [here](#) to download IES-LTD data.



# Arpool S Projector

## ORDERING INFORMATION

### MODEL

#### FASP

- FASP - H-90mm x Ø38mm x L-95mm  
(H-3,5"x Ø1,5"x L-3,7")

#### FASPS

- FASPS - H-90mm x Ø38mm x L-120mm  
(H-3,5"x Ø1,5"x L-4,7")

### POWER

#### L

- L - 3W, 3000-4000K, 250lm

#### H

- H - 6W, 3000-4000K, 450lm
- H - 6W, RGBW (W 4000K)

### COLOR TEMP.

#### 27

- 27 - 2700K

#### 30

- 30 - 3000K

#### 40

- 40 - 4000K

#### TW

- TW - Tunable white (2200-4000K)

#### RGBW

- RGBW (W 4000K)

### OPTICS

#### SP

- SP - Spot - 15°

#### FL

- FL - Flood - 40°

#### W

- W - Wide - 70°

#### SPX

- SPX - Spot - 15° + hex

#### FLX

- FLX - Flood - 40° + hex

#### WX

- WX - Wide - 70° + hex

### VOLTAGE

#### 12

- 12 - 12VDC fixture voltage

#### 24

- 24 - 24VDC fixture voltage

### OPTIONS

#### 3

- 3\* - standard feed cable 3m (10')

#### 6

- 6 - luminaire supplied with 6m (20') feed cable

#### 9

- 9 - luminaire supplied with 9m (30') feed cable

#### 20

- 20 - luminaire supplied with 20m (65') feed cable

### GLARE CONTROL

#### 1

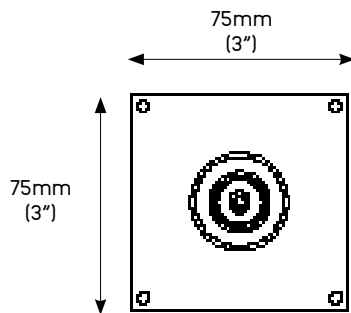
- 1 - Half moon



# Arpool S Projector

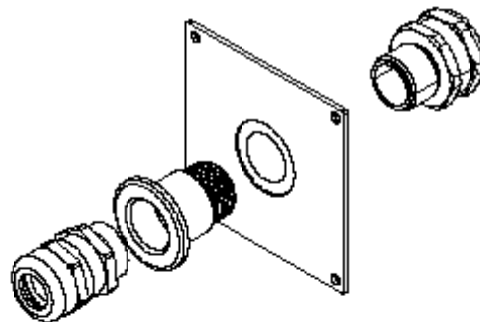
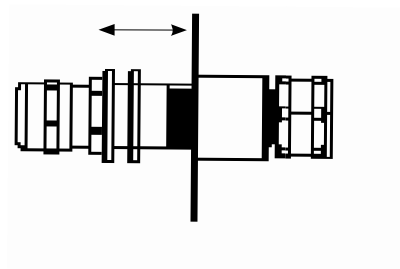
## ACCESSORIES

Waterproof wall duct - 202865



Tiles thickness  
adjustment

17-25mm  
(0,7" - 1")



Note:  
For details on specific depths, tiling thickness and other please refer to both Installation instructions for fixture and housing.