



Arpool Linear Recessed

Specification Sheet



UL STD 676 swimming pool rated
CSA C22.2#89 swimming pool rated
IP68

LUMINAIRE FEATURES

Design and Application

- Installation depth max. up to 3m (10')
- Max tile thickness 25mm (1")
- Trim flange overlap 10mm (0,4")
- DMX, DALI, 0-10V compatible (remote)
- Wall and floor installation
- Infinity pools and swimming pool complexes
- Fountains and water features

Performance

- IK10, Tempered glass, crystal clear
- Chlorine and saline environment
- Stainless Steel type 316L, marine grade
- Galvanic current protection (installation housing)
- Thermal fold back technology
- Lifetime TM-21 @85C L80(14K)=81600h
- Supplied with oil and water resistant 3m (10') feed cable as standard
- CRI: > 85
- 3 Step MacAdam

Safety

- Remote power supply
- Low voltage operation
- Recessed installation

Sustainability

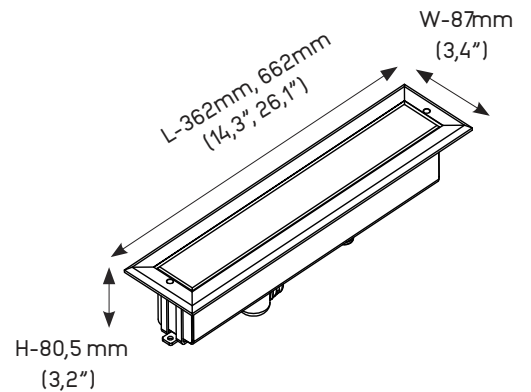
- Recyclable material

Installation housing

- FAR413 - Housing Arpool Linear L14
- FAR415 - Housing Arpool Linear L26
- FAR413NSF - Housing Arpool Linear Narrow L14 Side Feed
- FAR415NSF - Housing Arpool Linear Narrow L26 Side Feed
- FAR413NBF - Housing Arpool Linear Narrow L14 Back Feed
- FAR415NBF - Housing Arpool Linear Narrow L26 Back Feed

Power supplies

- List of proposed power supplies that are to be ordered separately.
- Click [here](#) for list of available drivers.
- Click [here](#) for voltage drop and distances.



Click [here](#) to download fixture installation manual.
Click [here](#) to download housing installation manual.
Click [here](#) to download CAD file.
Click [here](#) to download IES-LTD data.

Note:

Underwater luminaire - must be constantly submersed.



Arpool Linear Recessed

ORDERING INFORMATION

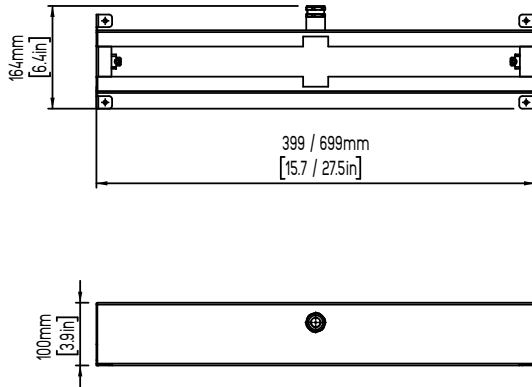
MODEL	
FALR	
LENGHT	
14	• 362mm (14,3")
26	• 662mm (26,1")
POWER	
L	• L - 12W/ft, 3000K - 4000K, 810lm/ft
H	• H - 20W/ft, 3000K - 4000K, 1340lm/ft • L - 14,5W/ft,RGBW
COLOR TEMP.	
27	• 27 - 2700K
30	• 30 - 3000K
40	• 40 - 4000K
TW	• TW - Tunable white (2200-4000K)
RGBW	• RGBW (W 4000K)
OPTICS	
SP	• SP - Spot - 17°
FL	• FL - Flood - 31°
GR	• GR - Graze - 14° x 40°
GR20	• GR20 - 14° x 40°/tilt 20°
GRW	• GRW - Graze - 10° x 60°
SPX	• SPX - Spot - 17° + hex
FLX	• FLX - Flood - 31° + hex
GRX	• GRX - Graze - 14° x 40° + hex
GR20X	• GR20X - 14° x 40°/tilt 20° + hex
GRWX	• GRWX - Graze - 10° x 60° + hex
VOLTAGE	
12	• 12 - 12VDC fixture voltage
24	• 24 - 24VDC fixture voltage
OPTIONS	
3	• 3* - standard feed cable 3m (10')
6	• 6 - luminaire supplied with 6m (20') feed cable
9	• 9 - luminaire supplied with 9m (30') feed cable
20	• 20 - luminaire supplied with 20m (65') feed cable
GLARE CONTROL	
1	• 1 - Half moon



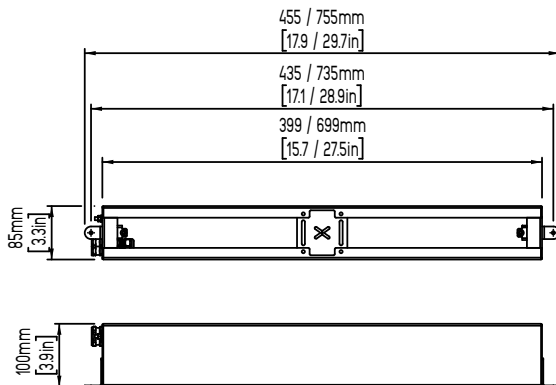
Arpool Linear Recessed

INSTALLATION HOUSING

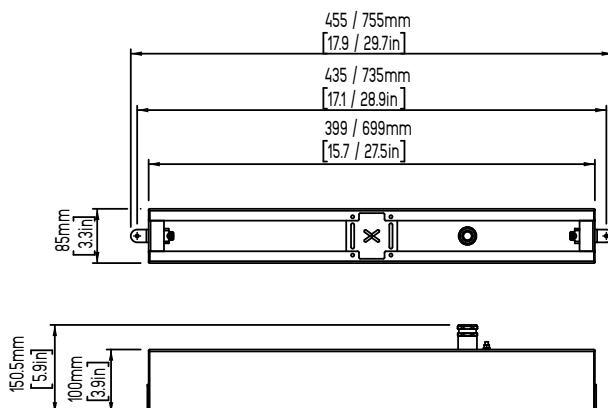
- FAR413 - Housing Arpool Linear L14
- FAR415 - Housing Arpool Linear L26



- FAR413NSF - Housing Arpool Linear Narrow L14 Side Feed
- FAR415NSF - Housing Arpool Linear Narrow L26 Side Feed



- FAR413NBF - Housing Arpool Linear Narrow L14 Back Feed
- FAR415NBF - Housing Arpool Linear Narrow L26 Back Feed



Note:
For details on specific depths, tiling thickness and other please refer to both Installation instructions for fixture and housing.