



# Zero G

Specification Sheet



**UL STD 1598**  
**IP67**

## LUMINAIRE FEATURES

### Design and Application

- Architectural and landscape lighting
- Recessed floor installation
- Gravel, soil or concrete
- UL STD 1598, IP67, Wet location, drive over rated 1500 kg (3300lb)

### Performance

- IK10, Tempered glass, crystal clear
- Continuous run of standard lengths
- Stainless steel type 304 body
- Snap in installation with no exposed hardware
- Galvanic current protection (installation housing)
- Lifetime TM-21 @85C L90(9K)=60500h
- Supplied with oil and water resistant 1m (3,3') feed cable as standard
- CRI: > 85
- 2 Step MacAdam

### Safety

- Remote power supply
- Low voltage operation
- Recessed installation

### Optimal fixture positioning

- 50mm-100mm (2"- 3,9") from wall  
- wall height 7m (23')
- Max. 50mm between fixtures for continuous light effect

### Sustainability

- Recyclable material
- Replaceable LED module

### Installation housing

- LIN174 - 6,9" (174mm)
- LIN324 - 12,8" (324mm)
- LIN624 - 24,6" (624mm)
- LIN1224 - 48,2" (1224mm)

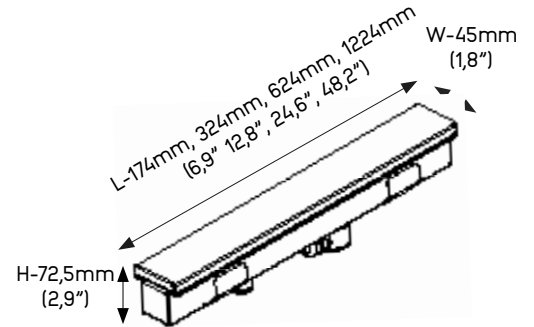
### Accessories

- 104534 - Sealing cap for end connector
- 104428 - IP68 Incoming connector

### Power supplies

- List of proposed power supplies that are to be ordered separately.
- Please click [link](#) for list of available drivers.
- Click [here](#) for voltage drop and distances.

Click [here](#) to download fixture installation manual.  
Click [here](#) to download housing installation manual.  
Click [here](#) to download CAD file.  
Click [here](#) to download IES-LTD data.





## Zero G

### ORDERING INFORMATION

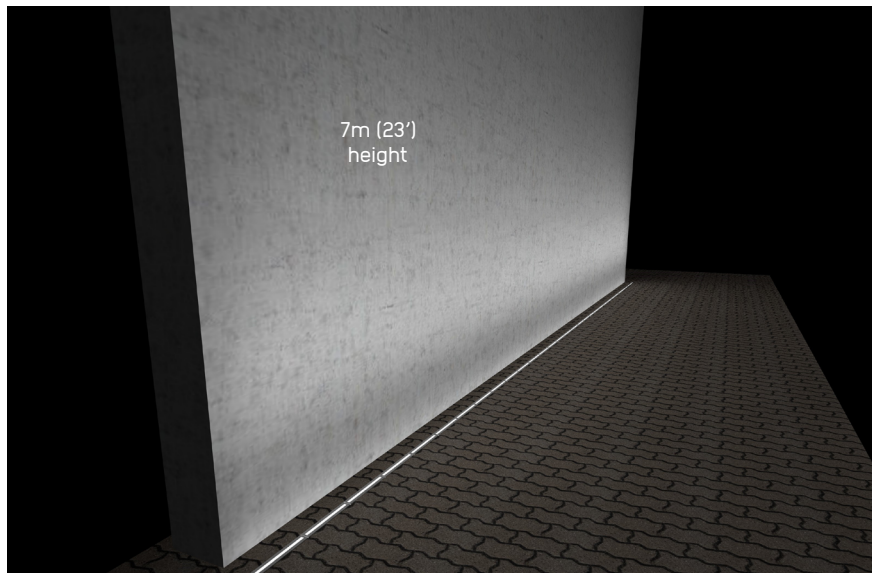
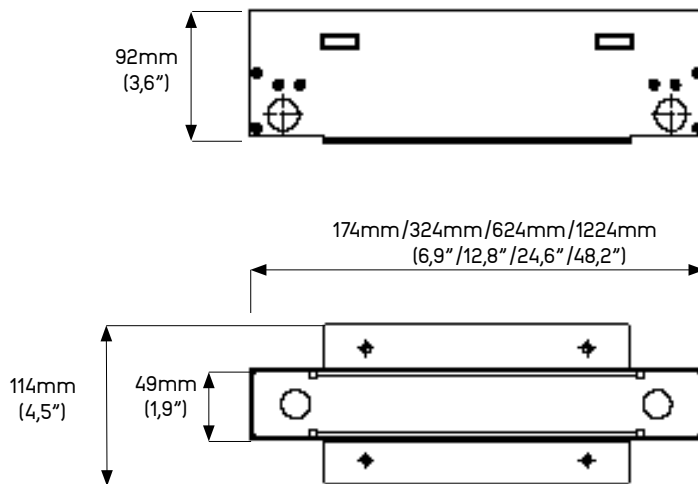
<b>MODEL</b>	
<b>FZG</b>	
<b>LENGHT</b>	
<b>6</b>	• 6,9" (174mm)
<b>12</b>	• 12,8" (324mm)
<b>24</b>	• 24,6" (624mm)
<b>48</b>	• 48,2" (1224mm)
<b>POWER</b>	
<b>H</b>	• H - 39W/m, 720lm/m
<b>COLOR TEMP.</b>	
<b>27</b>	• 27 - 2700K
<b>30</b>	• 30 - 3000K
<b>TW</b>	• TW - Tunable white 2200K - 4000K
<b>OPTICS</b>	
<b>GR</b>	• GR - Graze 10°x50°
<b>VOLTAGE</b>	
<b>24</b>	• 24 - 24VDC fixture voltage
<b>OPTIONS</b>	
<b>C</b>	• C* - standard feed cable 1m (3,3')
<b>3</b>	• 3 - luminaire supplied with 3m (10') feed cable * 24V only
<b>6</b>	• 6 - luminaire supplied with 6m (20') feed cable * 24V only
<b>9</b>	• 9 - luminaire supplied with 9m (30') feed cable * 24V only



# Zero G

## INSTALLATION DETAILS

Installation housing - LIN174 / LIN324 / LIN624 / LIN1224



\*from 50mm (2") to 100mm (3.9") distance from the wall for best grazing performance.  
\*up to 50mm (2") distance between fixtures for continuous line of light

Note:  
For details on specific depths, tiling thickness and other please refer to both Installation instructions for fixture and housing.