

RD 140 Deco

TECHNOLOGY



Flow Sense

A built-in protector against power-related issues, ensuring lasting performance and safety.



Split & Seal

Uses protective polymers to shield Filix products from water and moisture, boosting durability and resilience.



Heat Sense

Automatically reduces LED power at high temperatures, ensuring longevity and safety in Filix products.





RD140 Deco

Specification Sheet



UL STD 1598 pending
IP67

LUMINAIRE FEATURES

Design and Application

- Round recessed floor installation
- Architectural and landscape lighting
- Larger outdoor and interior lobby spaces

Mechanical details

- IK10 crystal-clear tempered glass, 10mm (0.39") thick
- AISI304L stainless steel and aluminum body
- Snap in installation with no exposed hardware
- Wet location, drive over rated 1500 kg (3300lb)
- Supplied with 0.3m (1') oil and water resistant feed cable as standard
- Integrated power supply (option)

Electrical details

- LED Lifetime TM-21 @ 85°C
L90(10K) = 60,500 hours
- Operating temperature: -20°C (-28°F) to +50°C (122°F)
- LED CRI: >85
- 2 step MacAdam

Sustainability

- Recyclable materials
- Replaceable LED module

Controls

- DMX, with compatible LED power supply
- DALI, integrated with LED power supply
- 0-10V, integrated with LED power supply
- Mains, integrated with LED power supply

Integrated systems

- Split & Seal
- Flow Sense
- Heat Sense

Links & Downloads

- [List of available drivers](#)
- [Voltage drop calculator](#)
- [Fixture installation manual](#)
- [Housing installation manual](#)
- [CAD files](#)
- [IES-LTD data](#)



RD140 Deco

ORDERING INFORMATION

MODEL

RD140

INSTALLATION

TM

- Trim (TM)

POWER

H

- H - 15W, 2700K - 3000K, 1300 lm (shallow beam)
- H - 15W, 2700K - 3000K, 700 lm (deep beam)

COLOR TEMP.

27

- 27 - 2700K

30

- 30 - 3000K

TW

- TW - 2200 - 4000K (tunable white)

DW

- DW - 2200 - 4000K (dim to warm)

M

- M - RGBW (3000°K)

OPTICS

SP

- SP - Spot - 17°

FL

- FL - Flood - 30°

W

- W - Wide - 50°

SX

- SX - Spot - 17° + hex

FX

- FX - Flood - 30° + hex

WX

- WX - Wide - 50° + hex

VOLTAGE

24

- 24 - 24VDC fixture voltage

230

- 230 - 220-240VAC fixture voltage (on/off)*

230D

- 230D - 220-240VAC fixture voltage /Dali*

230V

- 230V - 220-240VAC fixture voltage /1-10V*

230X

- 230X - 220-240VAC fixture voltage /DMX*

*Power supply located in the IP67 back box

BEAM DEPTH

S

- S - Shallow Beam - regressed optics 35mm

D

- D- Deep Beam - regressed optics 65mm (super low glare)

LIGHT CONTROL

0

- 0 - No light control

1

- 1 - Half moon



RD140 Deco

MANDATORY ACCESSORIES

Housings

HOUSING
RD140C

- RD140C - Installation housing of RD140 Deco

Feed Cable

LENGTHS

3
6
9

- 3 - luminaire supplied with 3m (10') feed cable
- 6 - luminaire supplied with 6m (10') feed cable
- 9 - luminaire supplied with 9m (10') feed cable

Power supplies (24VDC option only)

DRIVERS
[LINK](#)

- List of available drivers

OPTIONAL ACCESSORIES

Various Accessories

VARIOUS
104853

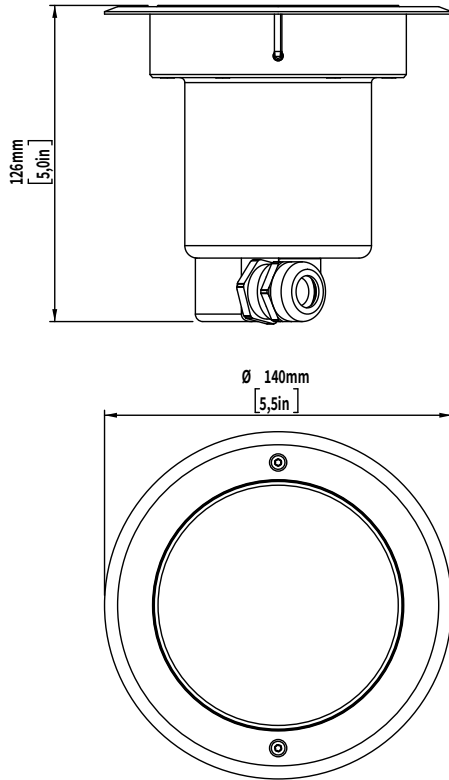
- 104853 - Removal tool



RD140 Deco

INSTALLATION DETAILS

Fixture



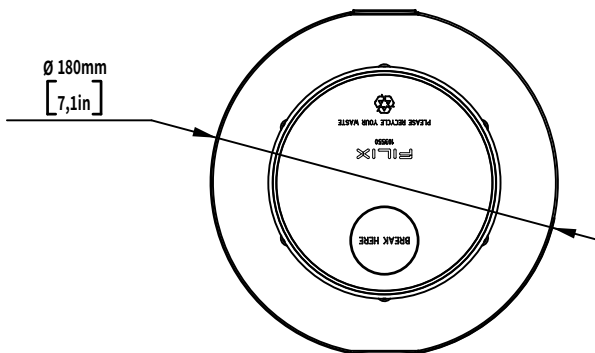
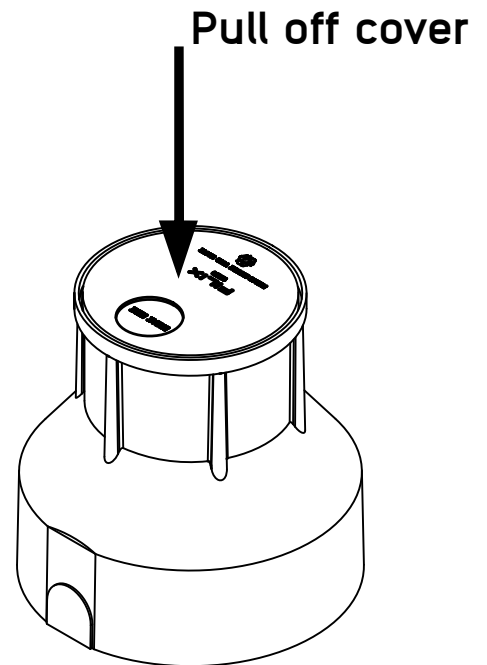
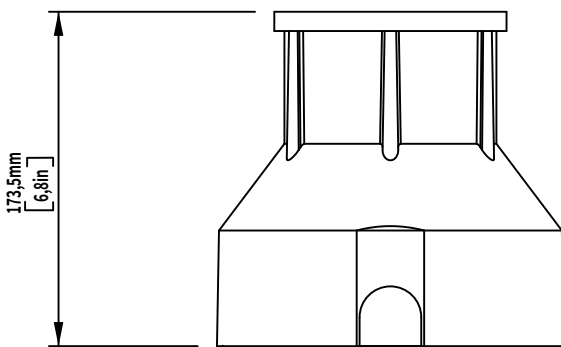
Note:
For details on specific depths, tiling thickness and other please refer to both Installation instructions for fixture and housing.



RD140 Deco

INSTALLATION DETAILS

Housing



Note:
For details on specific depths, tiling thickness and other please refer to both Installation instructions for fixture and housing.

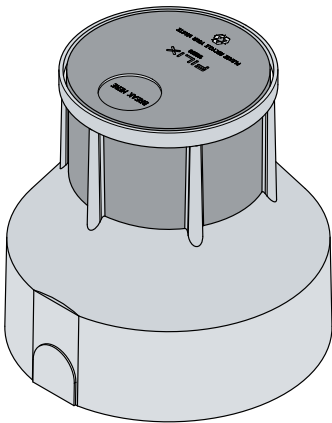


RD140 Deco

MANDATORY ACCESSORIES

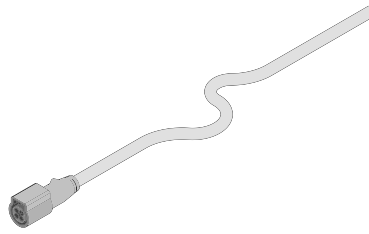
Installation housing

Used to niche and to seamlessly integrate luminaire utilizing precision press fit with no exposed hardware.



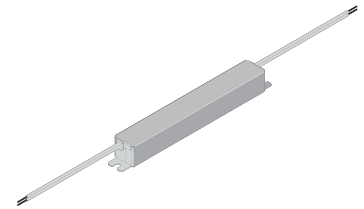
Feed cable

Length options 3m (10ft), 6m (20ft), 9m (30ft). The rugged rubber cables are versatile, with open wires for mains connection and a snap-in connector for fixture connection. They're rated IP68/IP69K and resistant to UV exposure, ideal for marine use. Note that feed cable is mandatory to order for 24VDC option.



Power supply

A LED power supply, is an electrical device designed to control the power supplied to an LED or an array of LEDs. It plays a critical role in LED lighting systems as LEDs demand a specific type and level of electrical current or voltage for optimal operation. It's important to note whether a constant current or constant voltage LED power supply is required. The power supply should be installed in a dry and easily accessible area. Note that power supply is mandatory to order for 24VDC option.



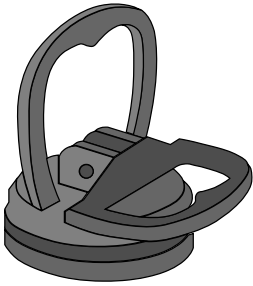


RD140 Deco

OPTIONAL ACCESSORIES

Removal tool

Equipped with a specialized suction mechanism, it securely adheres to glass surfaces, ensuring safe and precise lifting and handling operations. This tool is essential for various applications where a reliable and controlled grip is paramount, promoting efficiency and workplace safety.

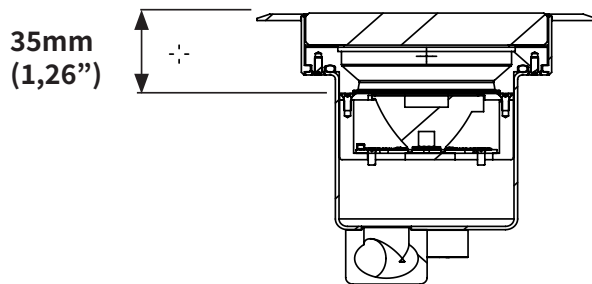




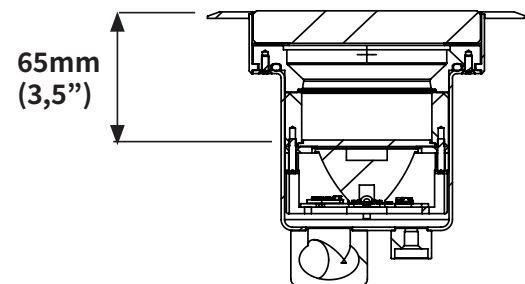
RD140 Deco LIGHT CONTROL

Beam depth options

SHALLOW BEAM



DEEP BEAM



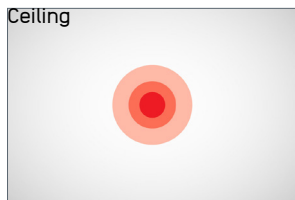
Through selection of these beam depth options lumen output and glare can be effectively controlled.



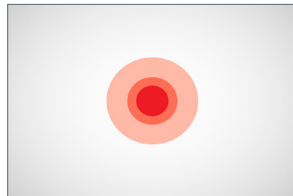
RD140 Deco

OPTICS

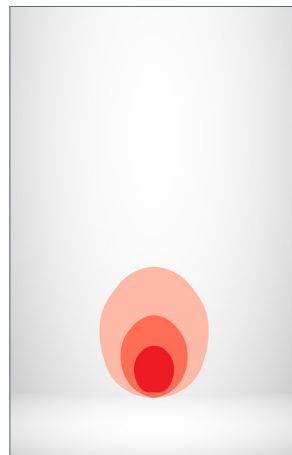
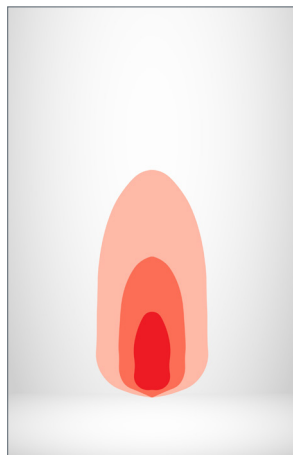
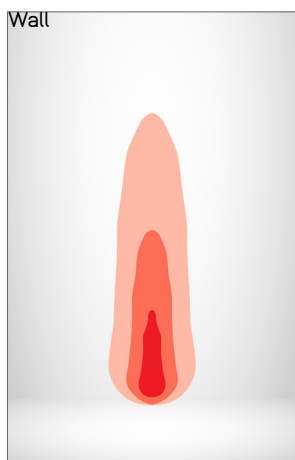
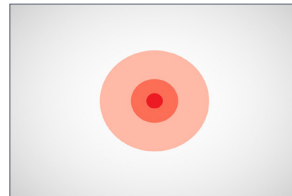
Spot
Angle: 17°
Delivered lumen: 1300lm



Flood
Angle: 30°
Delivered lumen: 1000lm



Wide
Angle: 50°
Delivered lumen: 850 lm



Notes

- Light output values based on 15W shallow beam and 3000K product



Control

ON/OFF SYSTEM TOPOLOGY

Integrated systems:

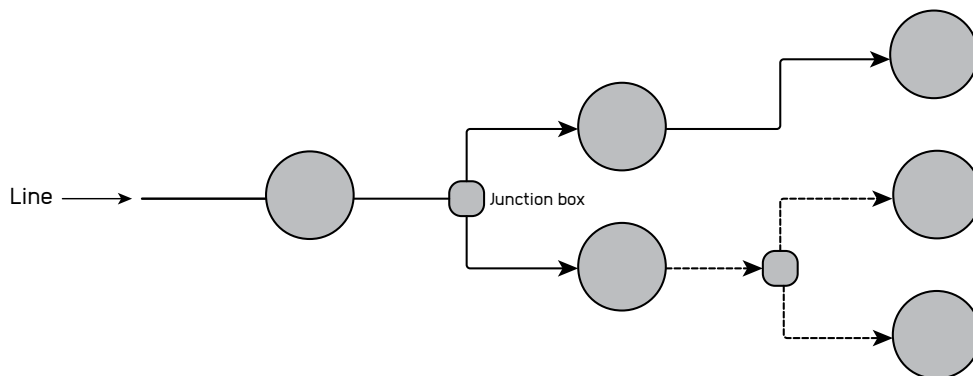
- Flow Sense
- Heat Sense
- Split & Seal

System components

- Wiring, protective devices and junction boxes leading up to feed cable at the start of the line are the responsibility of others

System topology

- In the system design, any of the following system topologies can be utilized: line wiring, star wiring, or tree wiring.



Addressing & dimming notes

- ON/OFF system does not allow device addressing
- Dimming of the product not available in this system

Segment length and limitations

- The maximum distance between the first and last fitting is limited to maximum voltage drop and fuse rating.
- Used only in single colour applications

Fault tolerance

- If one product fails the rest of the system continues to work
- Class III wiring implemented in the fixture and voltage fluctuation filter implemented



Control

0-10V SYSTEM TOPOLOGY

Integrated systems:

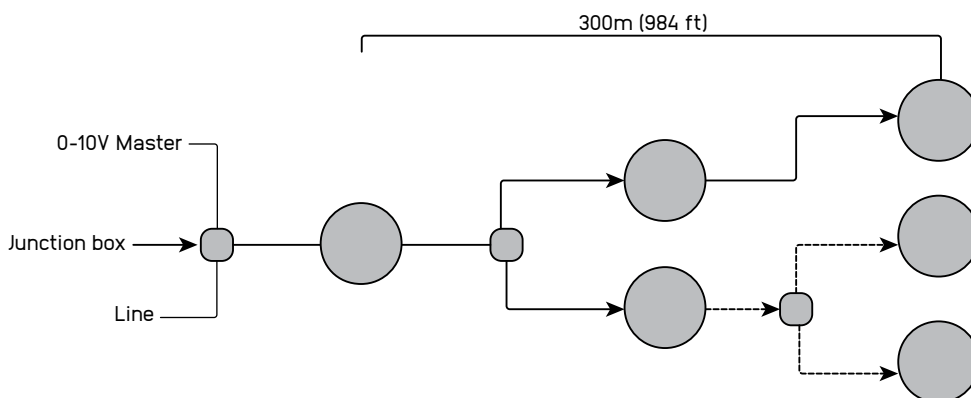
- Flow Sense
- Heat Sense
- Split & Seal

System components

- The 0-10V system, wiring, protective devices and junction boxes leading up to feed cable at the start of the line are the responsibility of others

System topology

- In the system design, any of the following system topologies can be utilized: line wiring, star wiring, or tree wiring.



Addressing & dimming notes

- 0-10V protocol does not allow addressing devices individually
- Logarithmic and linear dimming options available. The product is initially equipped with logarithmic dimming settings and it is suggested for the controllers to be linear in order to get the dimming that is most preferred in most cases due to the dimming curve perceived by human eye
- 0%-100% dimming range
- The product is initially set up as a source instead of as a sink type
- The product could also be set up as a sink type but this should be noted to sales representative

Segment length and limitations

- The maximum distance between two fittings is 30 meters, and the maximum distance between the first and last fitting is 300 meters.
- Used in single colour applications

Fault tolerance

- If the product is source type and in the case the control line doesn't have power the light fitting will turn at 100%. in the opposite case where the light is sink type, light will not work.
- If one product fails the rest of the system continues to work
- Class III wiring implemented in the fixture and voltage fluctuation filter implemented



Control

DALI SYSTEM TOPOLOGY

Integrated systems:

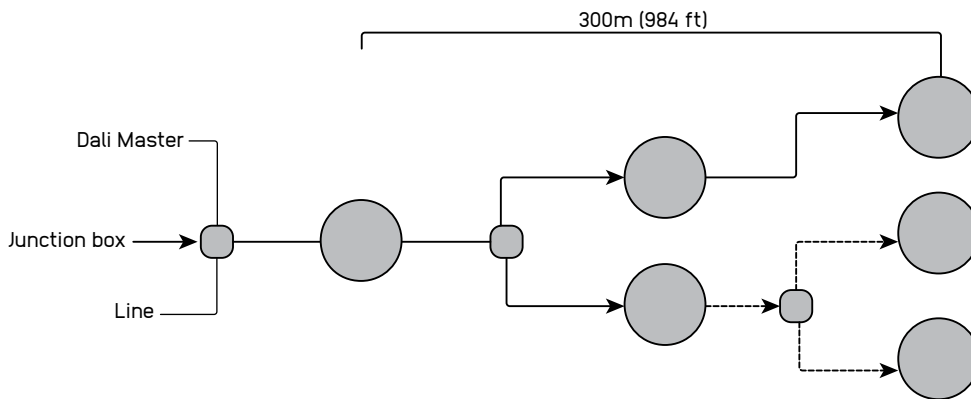
- Flow Sense
- Heat Sense
- Split & Seal

System components

- The DALI system, wiring, protective devices and junction boxes leading up to feed cable at the start of the line are the responsibility of others

System topology

- In the system design, any of the following system topologies can be utilized: line wiring, star wiring, or tree wiring.



Addressing & dimming notes

- DALI protocol allows addressing devices individually
- Addressing methods include a short address for individual devices, group addresses for up to 16 groups, and a broadcast address that targets everything on the line.
- Logarithmic and linear dimming options available. The product is initially equipped with logarithmic dimming settings, while you can easily switch to logarithmic dimming using a configuration device.
- 0%-100% dimming range

Segment length and limitations

- A DALI master has the capacity to manage a line containing a maximum of 64 devices. Each device can be allocated to 16 unique groups and 16 individual scenes.
- The maximum distance between two fittings is 30 meters [98ft], and the maximum distance between the first and last fitting is 300m [984ft].
- Used in single colour and tunable white applications

Fault tolerance

- Due to its relatively slow operating speed and high bus voltage, the DALI system exhibits significant reliability in the presence of electrical interference, making shielding unnecessary
- If one product fails the rest of the system continues to work



Control

DMX SYSTEM TOPOLOGY

Integrated systems:

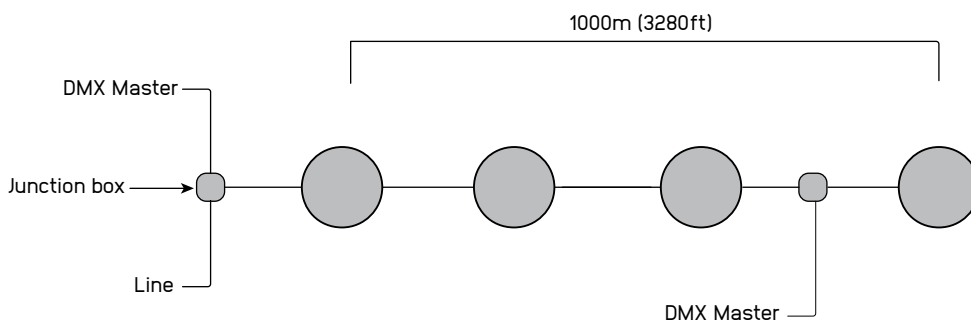
- Flow Sense
- Heat Sense
- Split & Seal

System components

- The DMX system, wiring, protective devices and junction boxes of the line are the responsibility of others

System topology

- In the system design, line wiring can only be used



Addressing & dimming notes

- DMX protocol allows addressing devices individually
- Addressing methods allow short address for individual devices
- Logarithmic and linear dimming options available. The product is initially equipped with logarithmic dimming settings, while you can easily switch to logarithmic dimming using a configuration device.
- 0%-100% dimming range

Segment length and limitations

- A DMX universe has the capacity to manage a line containing a maximum of 512 addresses. Each Luminaire can be allocated to maximum 4 unique addresses.
- The maximum distance between two fittings is 30m (98ft), and the maximum distance between the first and last fitting is 1000 meters.
- Used in single colour, tunable white, and RGBW applications
- DMX addresses can be programmed in factory or on site. Consult your sales representative if addressing is to be done in factory

Fault tolerance

- If one product fails the rest of the system continues to work