

## RDP 100 Paver

### TECHNOLOGY



#### Flow Sense

A built-in protector against power-related issues, ensuring lasting performance and safety.



#### Split & Seal

Uses protective polymers to shield Filix products from water and moisture, boosting durability and resilience.



#### Heat Sense

Automatically reduces LED power at high temperatures, ensuring longevity and safety in Filix products.





## RDP100 Paver

Specification Sheet



UL STD 1598  
IP67

### LUMINAIRE FEATURES

#### Design and Application

- Round recessed floor installation
- Architectural and landscape lighting
- Larger interior lobby spaces

#### Mechanical details

- IK10 frosted glass, 10mm (0.39") thick
- AISI304L stainless steel and aluminum body
- Snap in installation with no exposed hardware
- Wet location, drive over rated 1500 kg (3300lb)
- Supplied with 0.3m (1') oil and water resistant feed cable as standard

#### Electrical details

- LED Lifetime TM-21 @ 85°C L70(10K) > 60,000 hours
- Operating temperature: -20°C (-28°F) to +50°C (122°F)
- LED CRI: >85
- 2 step MacAdam

#### Sustainability

- Recyclable materials
- Replaceable LED module

#### Controls

- DMX, with compatible LED power supply
- DALI, with compatible LED power supply
- 0-10V, with compatible LED power supply
- Mains, with compatible LED power supply

#### Integrated systems

- Split & Seal
- Flow Sense
- Heat Sense

#### Links & Downloads

- [List of available drivers](#)
- [Voltage drop calculator](#)
- [Fixture installation manual](#)
- [Housing installation manual](#)
- [CAD files](#)
- [IES-LTD data](#)



# RDP100 Paver

## ORDERING INFORMATION

**MODEL****RDP100****INSTALATION****TM**

- Trim (TM)

**TS**

- Trimless (TS)

**POWER****L**

- L - 2,9W, 2700K - 3000K, 100 lm

**H**

- H - 4,8W, 2700K - 3000K, 160 lm
- H -5,6W RGBW (W 3000K)

**COLOR TEMP.****27**

- 27 - 2700K

**30**

- 30 - 3000K

**RGBW**

- RGBW (W 3000K)

**OPTICS****LL**

- LL - 120° even illumination

**VOLTAGE****24**

- 24 - 24 VDC fixture voltage



## RDP100 Paver

### MANDATORY ACCESSORIES

#### Housings

##### HOUSING

RD100C

- RD100C - Trim installation housing of RDP100

RD100T

- RD100T - Trimless installation housing of RDP100

#### Feed Cable

##### LENGTHS

3

- 3 - luminaire supplied with 3m (10') feed cable

6

- 6 - luminaire supplied with 6m (20') feed cable

9

- 9 - luminaire supplied with 9m (30') feed cable

#### Power supplies

##### DRIVERS

[LINK](#)

- List of available drivers

### OPTIONAL ACCESSORIES

#### Various Accessories

##### VARIOUS

104853

- 104853 - Removal tool



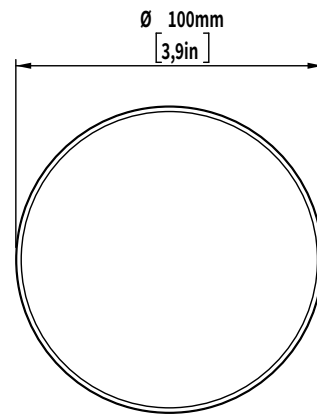
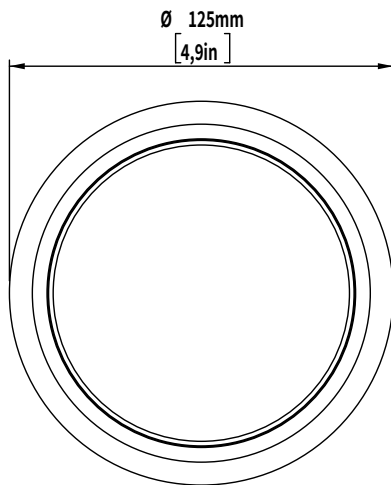
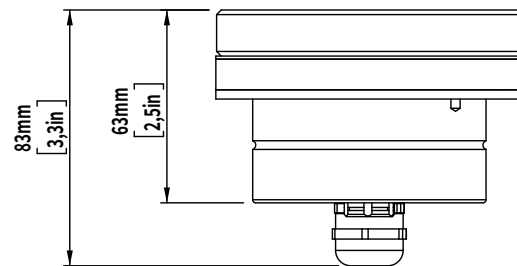
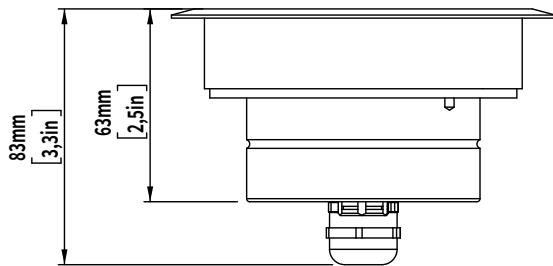
## RDP100 Paver

### INSTALLATION DETAILS

#### Fixture

Trim

Trimless



Note:  
For details on specific depths, tiling thickness and other please refer to both Installation instructions for fixture and housing.



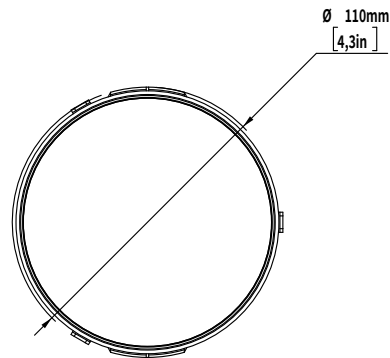
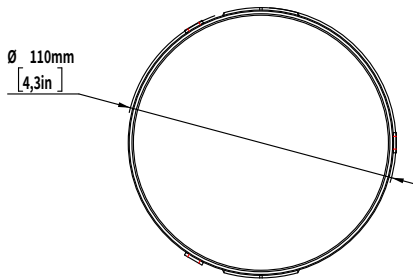
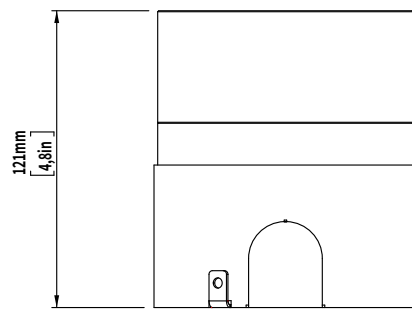
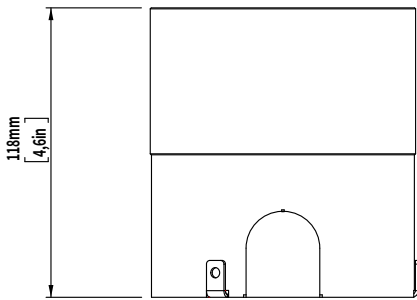
# RDP100 Paver

## INSTALLATION DETAILS

### Housing

RD100C - Trim installation housing

RD100T - Trimless installation housing



Note:  
For details on specific depths, tiling thickness and other please refer to both Installation instructions for fixture and housing.

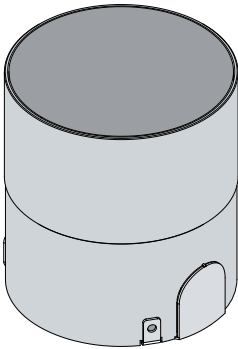


## RDP100 Paver

### MANDATORY ACCESSORIES

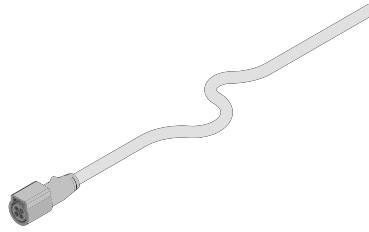
#### Installation housing

Used to niche and to seamlessly integrate luminaire utilizing precision press fit with no exposed hardware.



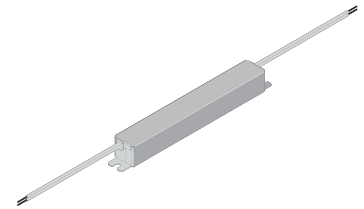
#### Feed cable

Length options 3m (10ft), 6m (20ft), 9m (30ft). The rugged rubber cables are versatile, with open wires for mains connection and a snap-in connector for fixture connection. They're rated IP68/IP69K and resistant to UV exposure, ideal for marine use. Note that feed cable is mandatory to order.



#### Power supply

A LED power supply, is an electrical device designed to control the power supplied to an LED or an array of LEDs. It plays a critical role in LED lighting systems as LEDs demand a specific type and level of electrical current or voltage for optimal operation. It's important to note whether a constant current or constant voltage LED power supply is required. The power supply should be installed in a dry and easily accessible area.



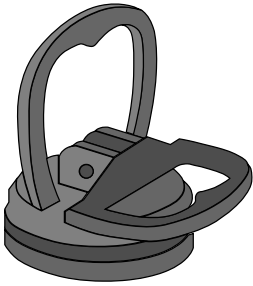


## RDP100 Paver

### OPTIONAL ACCESSORIES

#### Removal tool

Equipped with a specialized suction mechanism, it securely adheres to glass surfaces, ensuring safe and precise lifting and handling operations. This tool is essential for various applications where a reliable and controlled grip is paramount, promoting efficiency and workplace safety.





## Control

### ON/OFF SYSTEM TOPOLOGY

#### Integrated systems:

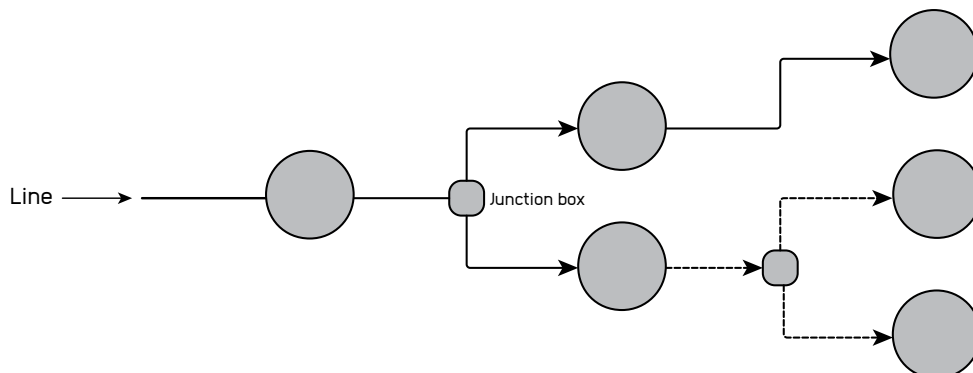
- Flow Sense
- Heat Sense
- Split & Seal

#### System components

- Wiring, protective devices and junction boxes leading up to feed cable at the start of the line are the responsibility of others

#### System topology

- In the system design, any of the following system topologies can be utilized: line wiring, star wiring, or tree wiring.



#### Addressing & dimming notes

- ON/OFF system does not allow device addressing
- Dimming of the product not available in this system

#### Segment length and limitations

- The maximum distance between the first and last fitting is limited to maximum voltage drop and fuse rating.
- Used only in single colour applications

#### Fault tolerance

- If one product fails the rest of the system continues to work
- Class III wiring implemented in the fixture and voltage fluctuation filter implemented



## Control

### 0-10V SYSTEM TOPOLOGY

#### Integrated systems:

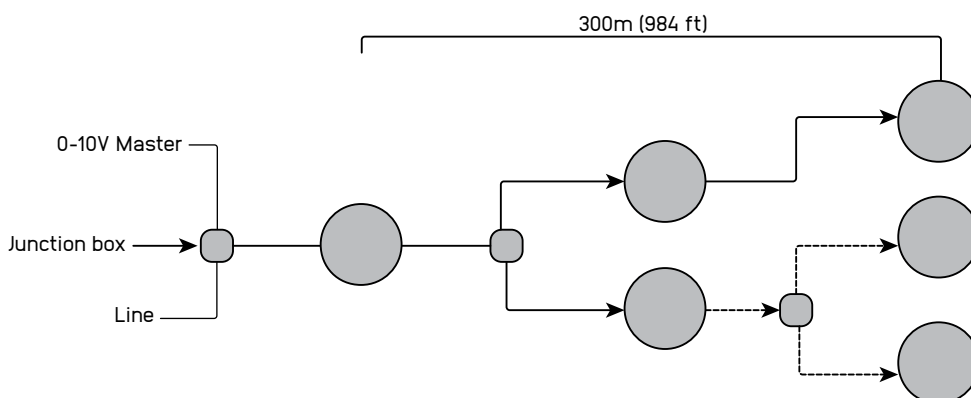
- Flow Sense
- Heat Sense
- Split & Seal

#### System components

- The 0-10V system, wiring, protective devices and junction boxes leading up to feed cable at the start of the line are the responsibility of others

#### System topology

- In the system design, any of the following system topologies can be utilized: line wiring, star wiring, or tree wiring.



#### Addressing & dimming notes

- 0-10V protocol does not allow addressing devices individually
- Logarithmic and linear dimming options available. The product is initially equipped with logarithmic dimming settings and it is suggested for the controllers to be linear in order to get the dimming that is most preferred in most cases due to the dimming curve perceived by human eye
- 0%-100% dimming range
- The product is initially set up as a source instead of as a sink type
- The product could also be set up as a sink type but this should be noted to sales representative

#### Segment length and limitations

- The maximum distance between two fittings is 30 meters, and the maximum distance between the first and last fitting is 300 meters.
- Used in single colour applications

#### Fault tolerance

- If the product is source type and in the case the control line doesn't have power the light fitting will turn at 100%. in the opposite case where the light is sink type, light will not work.
- If one product fails the rest of the system continues to work
- Class III wiring implemented in the fixture and voltage fluctuation filter implemented



## Control

### DALI SYSTEM TOPOLOGY

#### Integrated systems:

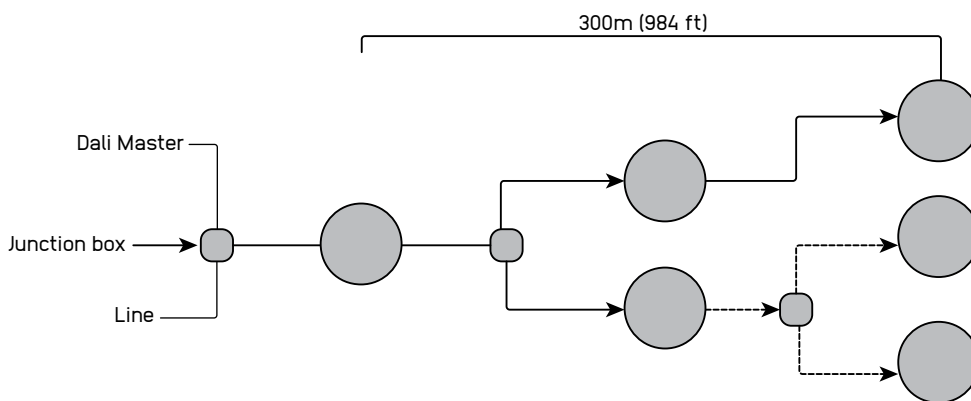
- Flow Sense
- Heat Sense
- Split & Seal

#### System components

- The DALI system, wiring, protective devices and junction boxes leading up to feed cable at the start of the line are the responsibility of others

#### System topology

- In the system design, any of the following system topologies can be utilized: line wiring, star wiring, or tree wiring.



#### Addressing & dimming notes

- DALI protocol allows addressing devices individually
- Addressing methods include a short address for individual devices, group addresses for up to 16 groups, and a broadcast address that targets everything on the line.
- Logarithmic and linear dimming options available. the product is initially equipped with logarithmic dimming settings, while you can easily switch to logarithmic dimming using a configuration device.
- 0%-100% dimming range

#### Segment length and limitations

- A DALI master has the capacity to manage a line containing a maximum of 64 devices. Each device can be allocated to 16 unique groups and 16 individual scenes.
- The maximum distance between two fittings is 30 meters [98ft] , and the maximum distance between the first and last fitting is 300m [984ft].
- Used in single colour and tunable white applications

#### Fault tolerance

- Due to its relatively slow operating speed and high bus voltage, the DALI system exhibits significant reliability in the presence of electrical interference, making shielding unnecessary
- If one product fails the rest of the system continues to work



## Control

### DMX SYSTEM TOPOLOGY

#### Integrated systems:

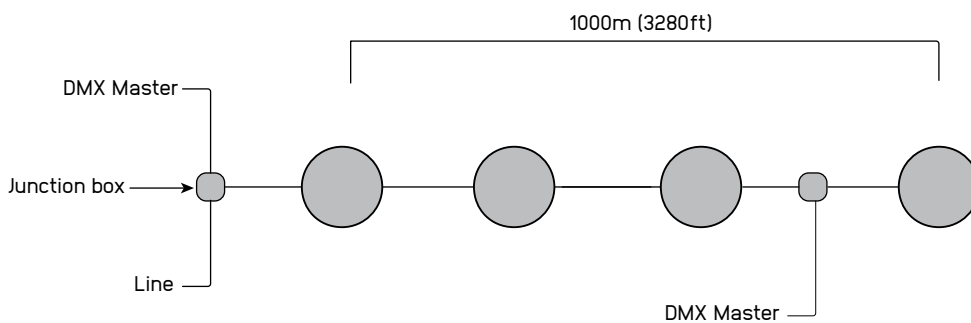
- Flow Sense
- Heat Sense
- Split & Seal

#### System components

- The DMX system, wiring, protective devices and junction boxes of the line are the responsibility of others

#### System topology

- In the system design, line wiring can only be used



#### Addressing & dimming notes

- DMX protocol allows addressing devices individually
- Addressing methods allow short address for individual devices
- Logarithmic and linear dimming options available. the product is initially equipped with logarithmic dimming settings, while you can easily switch to logarithmic dimming using a configuration device.
- 0%-100% dimming range

#### Segment length and limitations

- A DMX universe has the capacity to manage a line containing a maximum of 512 addresses. Each Luminaire can be allocated to maximum 4 unique addresses.
- The maximum distance between two fittings is 30m (98ft), and the maximum distance between the first and last fitting is 1000 meters.
- Used in single colour, tunable white, and RGBW applications
- DMX addresses can be programmed in factory or on site. Consult your sales representative if addressing is to be done in factory

#### Fault tolerance

- If one product fails the rest of the system continues to work