



# Ion Matrix

Specification Sheet



**UL STD 1598**  
**IP66**

## LUMINAIRE FEATURES

### Design and Application

- Architectural and landscape lighting
- Surface mount
- Anchor installation
- 4 apertures
- UL STD 1598, IP66, Wet location

### Performance

- Aluminum structure body
- Anodized and painted body
- PIR sensors 4m reading
- PIR sensor intensity adjustment min.light output preset 10%
- Base for feed through connection
- Recessed lens
- On site head movement 360°
- Constant voltage 110-277 VAC
- Finish powder coat RAL9003/RAL7016  
RAL9005 structure
- IP55 junction box
- IK10
- Lifetime TM-21 @85C L90(9K)=60500h
- CRI: > 85
- 2 Step MacAdam

### Sustainability

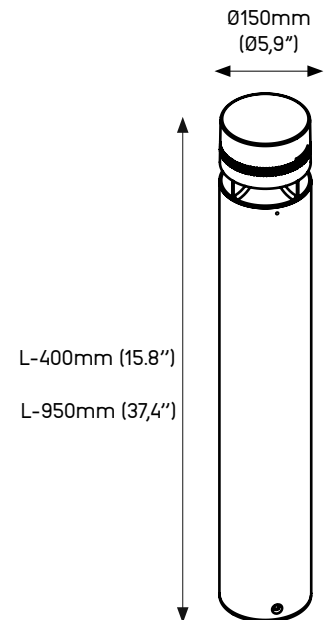
- Recyclable material
- Replaceable LED module

### Accessories

- 201846 - Installation Anchor

### Power supplies

- Integrated power supply
- Click [here](#) for list of available drivers.
- Click [here](#) for voltage drop and distances.



Click [here](#) to download fixture installation manual.

Click [here](#) to download CAD file.

Click [here](#) to download IES-LTD data.



# Ion Matrix

## ORDERING INFORMATION

### MODEL

### FINX

### HEIGHT

### M

- M - 15,8" (400mm )

### L

- L - 39,4" (1000mm)

### POWER

### L

- L -23W, 2700K-3000K, 750lm (360 degrees)

### COLOR TEMP.

### 27

- 27 - 2700K

### 30

- 30 - 3000K

### OPTICS

### QM

- QM - 0-360°

### VOLTAGE

### 110

- 110 - 110-277VAC, 60Hz

### FINISH

### W

- W - RAL 9003 Structure (white)

### AT

- AT - RAL 7016 Structure (grey antracite)

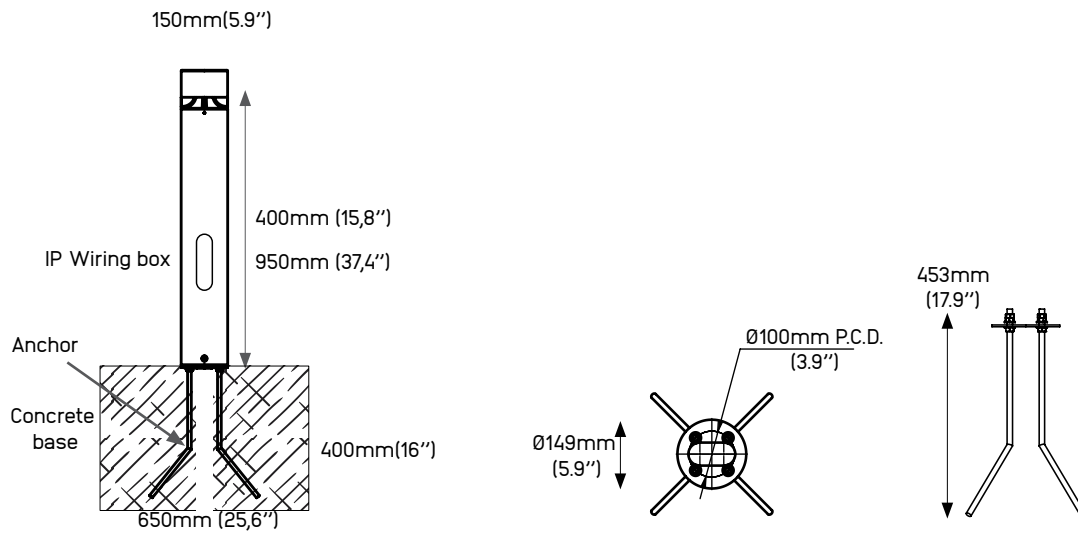
### BK

- BK - RAL 9005 Structure (black)

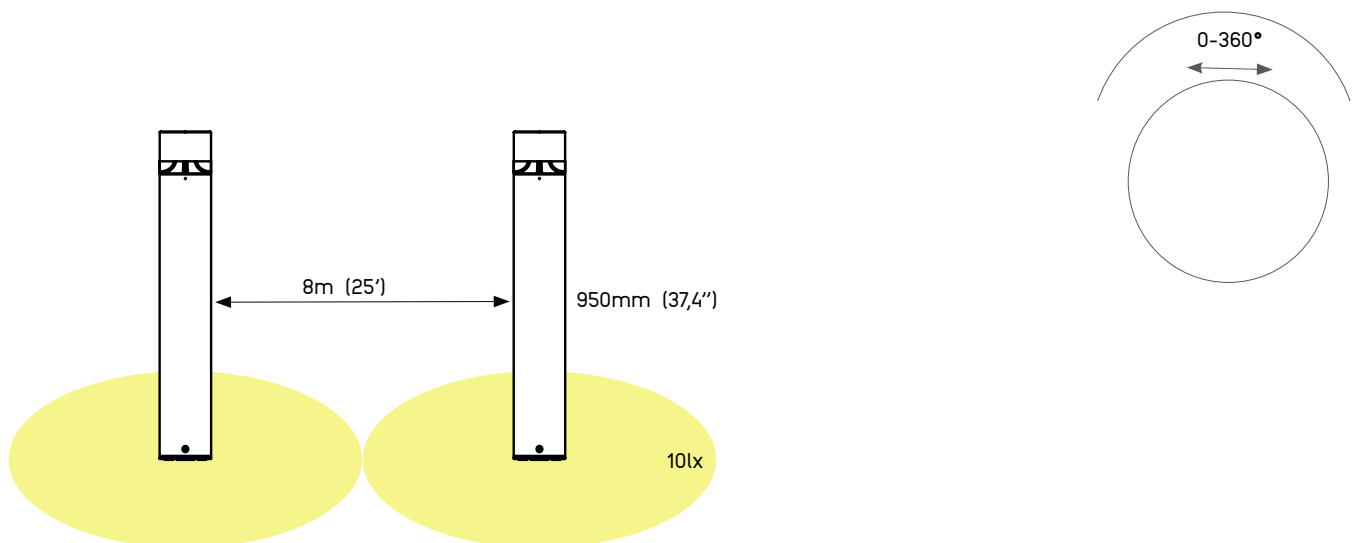


# Ion Matrix

## INSTALLATION DETAILS



ON SITE HEAD MOVEMENT 360° WITH LOCK  
Allows ON SITE manual head adjustment  
for change of light distribution angle or  
fine tuning.



Note:  
For details on specific depths, tiling thickness and other please refer to both Installation instructions for fixture and housing.