

Arpool S Projector

TECHNOLOGY



Flow Sense

A built-in protector against power-related issues, ensuring lasting performance and safety.



Split & Seal

Uses protective polymers to shield Filix products from water and moisture, boosting durability and resilience.



Heat Sense

Automatically reduces LED power at high temperatures, ensuring longevity and safety in Filix products.





Arpool S Projector

Specification Sheet



IP68

ISO 9227:2017

UL STD 676 water feature/ fontaine rated

CSA C22.2#89 water feature/fontaine rated

LUMINAIRE FEATURES

Design and Application

- Small-scale water features
- Surface mounted spotlight

Mechanical details

- IK10 crystal-clear tempered glass, 10mm (0.39") thick
- IP68, rated for permanent submersion
- Maximum installation depth up to 5m (16')
- AISI316L stainless steel body
- Suitable for chlorine and marine environments
- Supplied with 3m(10') oil and water resistant feed cable as standard
- Surface mount with adjustable bracket
- Equipotential bonding point available

Electrical details

- LED Lifetime TM-21 @ 105°C
L80(24K) = 145,000 hours
- Operating temperature: -20°C (-28°F) to +50°C (122°F)
- LED CRI: >85
- 3 step MacAdam
- Remote power supply
- Low voltage operation

Sustainability

- Recyclable material

Controls

- DMX, with compatible LED power supply
- DALI, with compatible LED power supply
- 0-10V, with compatible LED power supply
- Mains, with compatible LED power supply

Integrated systems

- Split & Seal
- Flow Sense
- Heat Sense

Links & Downloads

- [List of available drivers](#)
- [Voltage drop calculator](#)
- [Fixture installation manual](#)
- [CAD files](#)
- [IES-LTD data](#)

Note

Underwater luminaire – must be constantly submersed.



Arpool S Projector

ORDERING INFORMATION

MODEL

ASP

- ASP - H-90mm x Ø38mm x L-95mm
(H-3,5"x Ø1,5"x L-3,7")

ASPS

- ASPS - H-90mm x Ø38mm x L-120mm
(H-3,5"x Ø1,5"x L-4,7")

POWER

L

- L - 3W, 2700/3000/4000K, 250lm

H

- H - 6W, 2700/3000/4000K, 450lm
- H - 6W, TW (2200-4000K)
- H - 6W, RGBW (W 4000K)

COLOR TEMP.

27

- 27 - 2700K

30

- 30 - 3000K

40

- 40 - 4000K

T6

- T6 - Tuneable white (2200-4000K)

M5

- M5 - RGBW (W 4000K)

OPTICS

SP

- SP - Spot (15°)

MF

- MF - Flood (40°)

WD

- WD - Wide (70°)

VOLTAGE

12

- 12 - 12VDC fixture voltage

24

- 24 - 24VDC fixture voltage

OPTIONS

03

- 03* - Standard feed cable 3m (10')

06

- 06 - Luminaire supplied with 6m (20') feed cable

09

- 09 - Luminaire supplied with 9m (30') feed cable

15

- 15 - Luminaire supplies with 15m (50') feed cable

20

- 20 - luminaire supplied with 20m (65') feed cable

INTERNAL LIGHT

CONTROL

2

- 2 - Hex Louvre

4

- 4 - Half Moon

5

- 5 - Honeymoon



Arpool S Projector

MANDATORY ACCESSORIES

Power supplies

DRIVERS

[LINK](#)

- List of available drivers



Arpool S Projector

OPTIONAL ACCESSORIES

Telescopic soft bed spike - TSBS

LENGTHS

05

- 05 - 550mm length

15

- 15 - 1550mm length

OPTION

S

- S - Single

D

- D - Double

Telescopic bracket - TB

LENGTHS

03

- 03 - 300mm length

13

- 13 - 1300mm length

OPTION

S

- S - Single

D

- D - Double

Various Accessories

VARIOUS

WWD

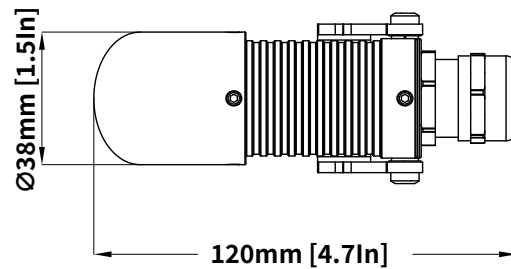
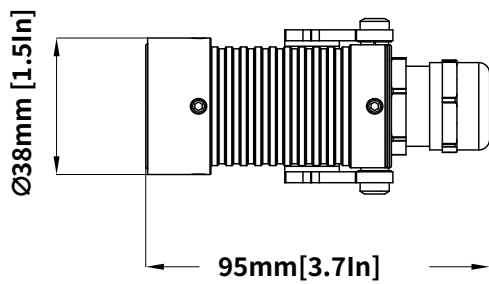
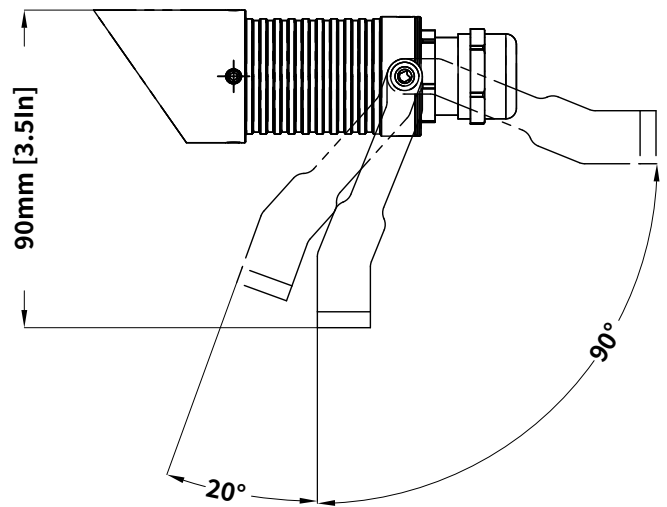
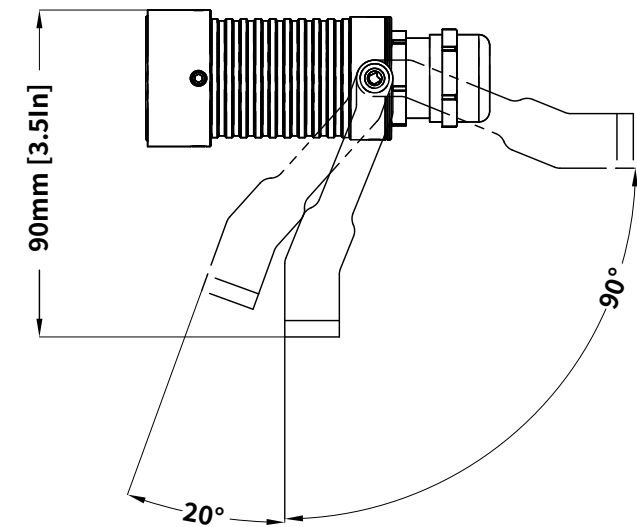
- WWD - Waterproof wall duct



Arpool S Projector

INSTALLATION DETAILS

Fixture



Note:
For details on specific depths, tiling thickness and other please refer to both Installation instructions for fixture and housing.

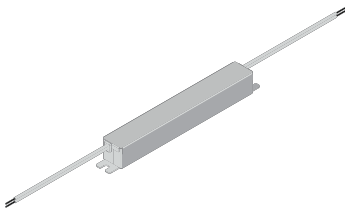


Arpool S Projector

MANDATORY ACCESSORIES

Power supply

A LED power supply, is an electrical device designed to control the power supplied to an LED or an array of LEDs. It plays a critical role in LED lighting systems as LEDs demand a specific type and level of electrical current or voltage for optimal operation. It's important to note whether a constant current or constant voltage LED power supply is required. The power supply should be installed in a dry and easily accessible area.



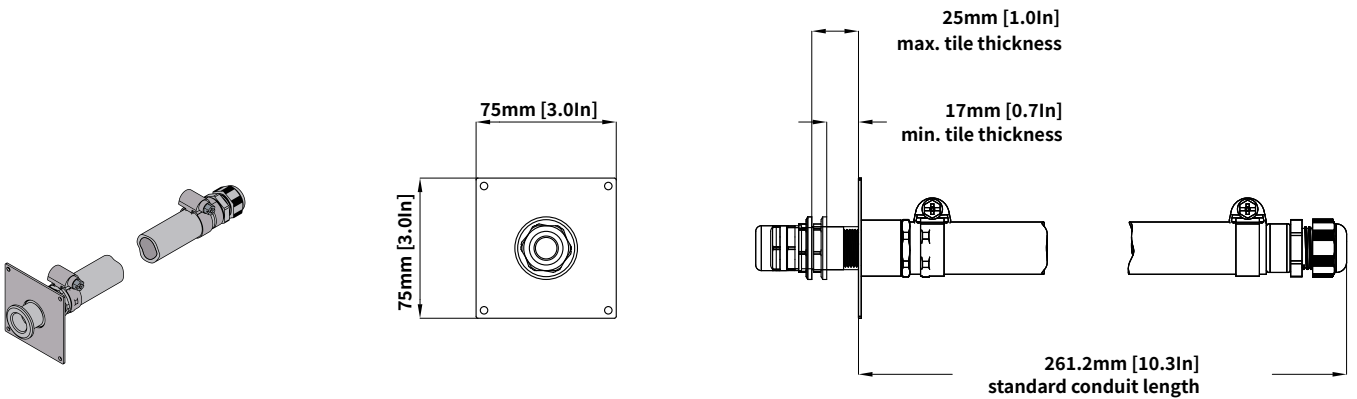


Arpool S Projector

OPTIONAL ACCESSORIES

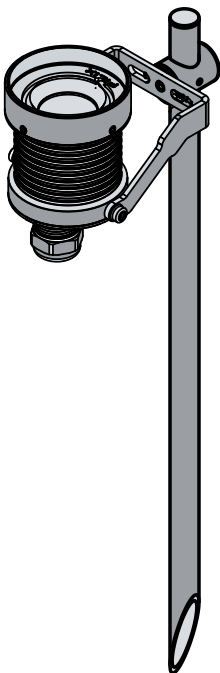
Waterproof wall duct

Filix waterproof wall ducts provide a secure, watertight connection for installing underwater lighting fixtures, adjustable for varying wall thicknesses.



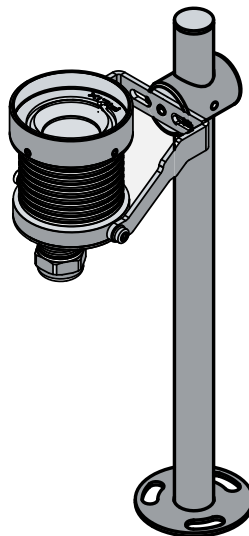
Telescopic soft bed spike

The Filix telescopic soft bed spike, offered in both 550mm and 1550mm lengths, ensures stable ground support for outdoor lighting installations in soft ground beds. It is suitable for mounting up to 2 projectors.



Telescopic bracket

Telescopic Bracket, offered in both 300mm and 1300mm heights, provides secure and adjustable support for outdoor lighting installations. It is suitable for mounting up to two projectors.





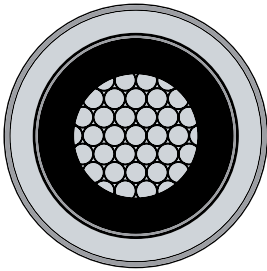
Arpool S Projector

LIGHT CONTROL

Internal light control:

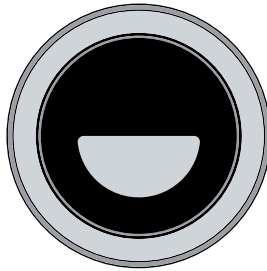
Hex louvre

Provides low glare control with 45% less lumen output than product without louvres. Best for use when there is no need for segment beam cut off such as in half moon.



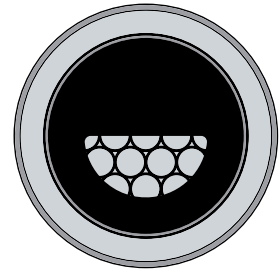
Half moon

Provides glare control by reducing lumen output and implementing a light beam cut-off, resulting in a 50% reduction in stray light and minimized light dispersion in undesirable directions.



Honeymoon

Combines the benefits of Hex Louvre and Halfmoon, offering both reduced glare and controlled light dispersion for comprehensive glare management.





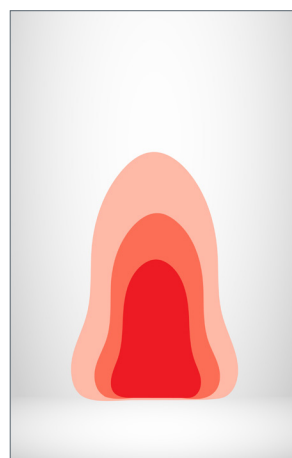
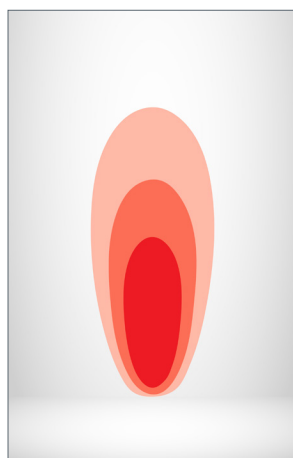
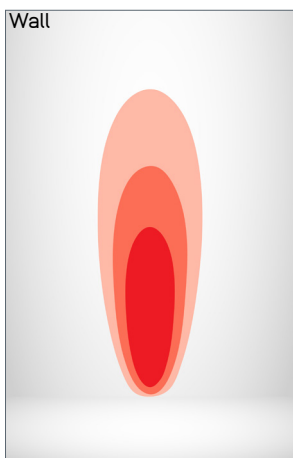
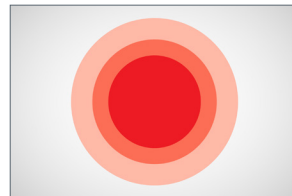
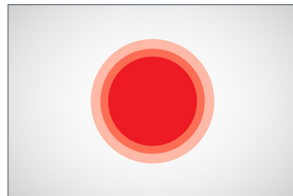
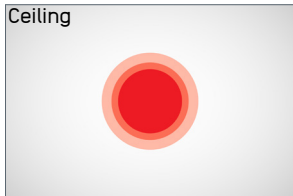
Arpool S Projector

OPTICS

Spot
Angle: 15°
Delivered lumen: 240lm

Flood
Angle: 40°
Delivered lumen: 140lm

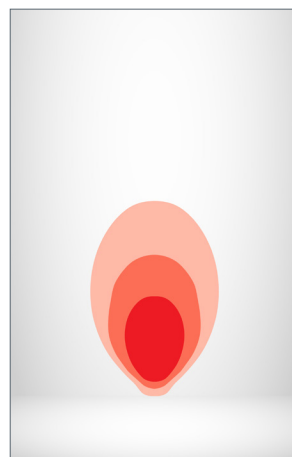
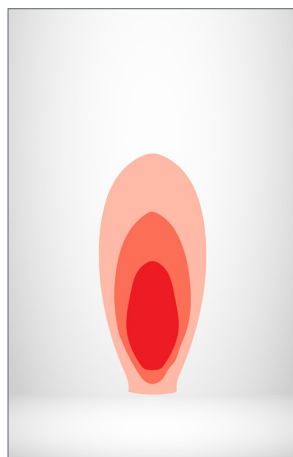
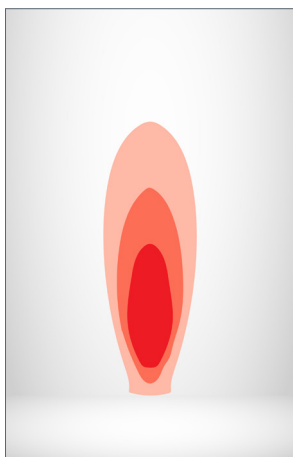
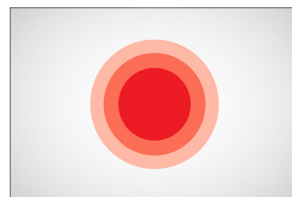
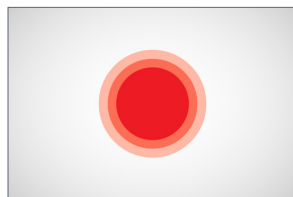
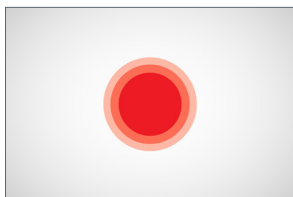
Wide
Angle: 70°
Delivered lumen: 90lm



Spot + Hex
Angle: 15°
Delivered lumen: 140lm

Flood + Hex
Angle: 40°
Delivered lumen: 83lm

Wide + Hex
Angle: 70°
Delivered lumen: 55lm



Notes

- Light output values based on 3W and 4000K product



Control

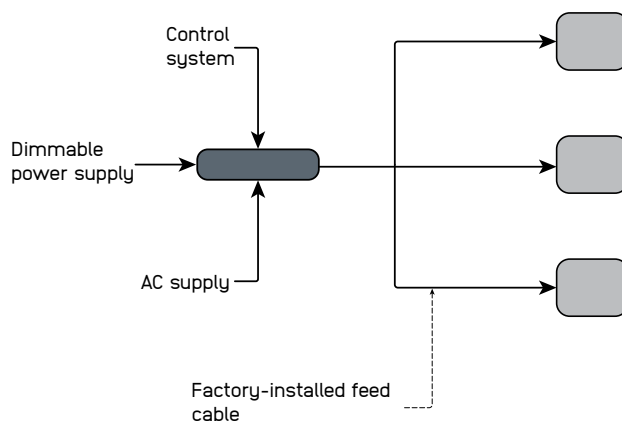
PWM SYSTEM TOPOLOGY - CONSTANT VOLTAGE

System components

- The luminaire is supplied with a factory-installed feed cable in standard lengths for connection to the PSU circuit, and mounting hardware as specified in the installation instructions.
- A remote constant voltage power supply (12V / 24V DC), DC distribution cabling between the PSU and luminaires (if required), junction boxes, connection infrastructure, and the control system (DALI, DMX, 0–10V or switching) must be provided by the installer or customer.
- Recommended components:
 - Surge protection on the AC side of the PSU
 - Appropriately sized DC cabling to limit voltage drop
 - Connectors and junction boxes suitable for the installation environment

System topology

- In the system design, any of the following system topologies can be utilized: line wiring, star wiring, or tree wiring.



Addressing & dimming notes

- Constant voltage systems use a parallel connection topology typical for constant voltage lighting systems. Distribution layouts may include star topology, tree topology, or daisy-chain distribution.
- Individual device or channel addressing can be achieved by connecting each product to a separate output channel of the DALI or DMX dimmable power supply.
- The PSU adjusts output power according to the control signal using PWM dimming.
- Dimming options depend on the PSU and the selected control system.

Segment length and limitations

- The minimum controllable segment is one product
- Maximum cable length and number of luminaires depend on the PSU, total system wattage, conductor cross-section, and acceptable voltage drop.
- Voltage drop must remain within 10% of the nominal input voltage to ensure uniform light output.
- Dimming options depend on the PSU and the selected control system.

Fault tolerance

- Failure of the control system or communication bus does not interrupt luminaire operation if the PSU continues to supply power.
- Failure of one luminaire does not affect other luminaires connected to the same distribution line due to the parallel connection topology.
- System reliability depends on correct PSU sizing and proper electrical installation.