

TECHNOLOGY



Quick fit

Provides instant and secure wiring and connections housed in an IP66-rated enclosure for robust protection against dust and water.



Smart fit

Enhance Tria Pole by incorporating advanced features, making it suitable for modern, connected environments.

Tria M

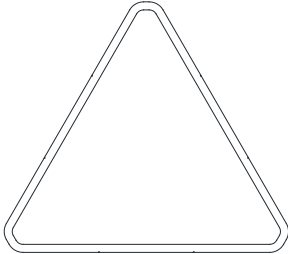


Qualicoat Seaside Class Powder Coat

Enhanced powder coating for aluminum, specifically formulated for superior durability and optimal performance in marine environments, lasting for over 10 years.

Tria M

Specification Sheet



EN-40
IP54/IP66

POLE FEATURES

Design and Application

- Landscapes
- Hospitality spaces
- Urban Plazas

Mechanical details

- IK10
- IP54 rating of the pole
- IP66 rating at Quick Connect interface
- Extruded aluminum body
- Triple surface protected with anodised base layer, primer coat and Qualicoat Sea-side Class powder coat top layer – rated C5 marine, 10+ years performance
- Supplied with oil and water resistant cable

Electrical details

- 230VAC Input

Controls

- DALI

Integrated modability systems:

- Quick Fit
- Smart Fit

Sustainability

- Recyclable material
- Repairable

Links & Downloads

- [Installation manual](#)
- CAD files

Tria M

ORDERING INFORMATION

MODEL	
TRM	
HEIGHT	
40	• 40 - 4000mm
45	• 45 - 4500mm
50	• 50 - 5000mm
55	• 55 - 5500mm
60	• 60 - 6000mm
FINISH COLOR	
W	• W - RAL9003 Structure (Signal White)
S	• S - RAL7044 Structure (Silky Grey)
A	• A - RAL7016 Structure (Antracite Grey)
B	• B - RAL9005 Structure (Jet Black)
D	• D - RAL1015 Structure (Desert Sand)
G	• G - RAL6002 Structure (Leaf Green)
C	• C - Custom Structure Color
ANCHOR TYPE	
C0	• C0 - Concrete Anchor
C1	• C1 - Concrete Anchor with PS 225W
C2	• C2 - Concrete Anchor with PS 375W
U0	• U0 - Utility Vault
U1	• U1 - Utility Vault with PS 225W
U2	• U2 - Utility Vault with PS 375W
CONTROL	
D	• D- Dali Operation

Tria M

MANDATORY ACCESSORIES

Installation options

<p>INSTALLATION</p> <p>COATRM</p> <p>UVOATRM</p>	<ul style="list-style-type: none"> • COATRM - Concrete Anchor • UVOATRM - Utility Vault
---	---

OPTIONAL ACCESSORIES

Various

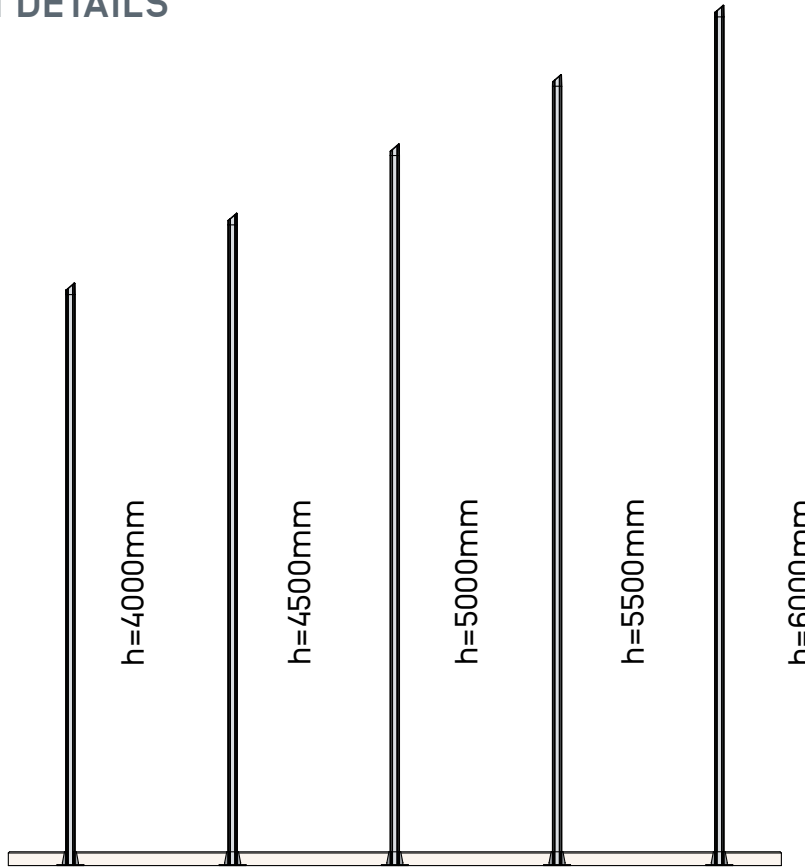
<p>VARIOUS</p> <p>A0</p> <p>B0</p> <p>C0</p> <p>D0</p> <p>E0</p> <p>ST</p> <p>EB</p> <p>CC</p> <p>RT</p> <p>TRSPC</p> <p>105790</p>	<ul style="list-style-type: none"> • A0 - Electrical Safety • B0 - User-Accessible Options • C0 - Wireless / Automatic Control • D0 - Smart Sensors • E0 - Communication • ST - Static signage • EB - Expression backlight • CC - Connectors • RT - Cover removal tool • TRMPC - Tria M pole cover • 105790 - Fuse box
--	---

Consult you regional sale representativ for further deatails

Tria M

INSTALLATION DETAILS

Pole height

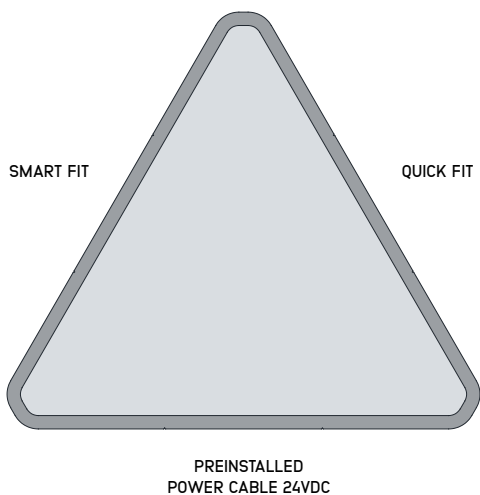


Wind zone 1
max. 6m

Wind zone 2
max. 5m

Wind zone 3
max. 4m

Profile details

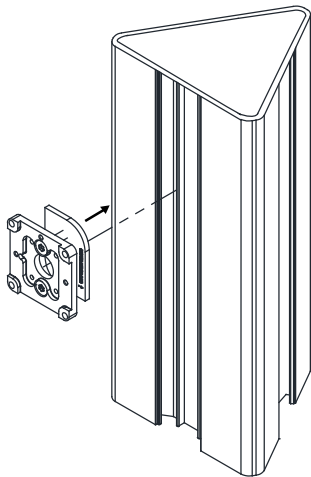


IP-rated tracklight functionality is provided, ensuring reliable performance in demanding environments. Fixtures can be repositioned along the vertical profiles as needed, offering flexibility during and after installation. The profile is protected against tampering, and full system modularity is preserved even when the site installation is still in progress.

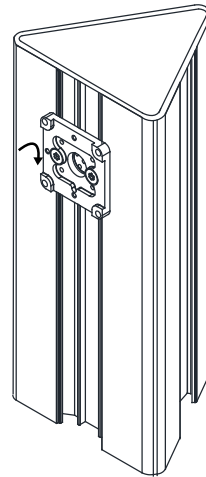
Tria M

QUICK FIT INSTALLATION

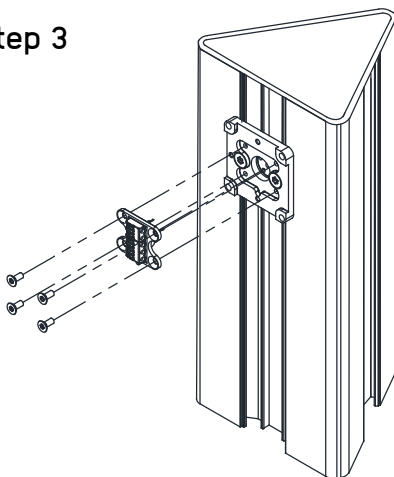
Step 1



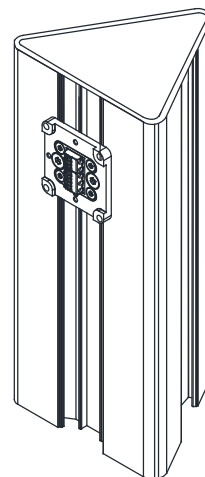
Step 2



Step 3



Step 4



Quick Fit Installation

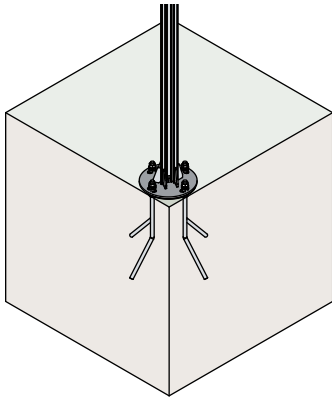
Designed for efficiency and flexibility, the system includes an IP66-rated instant wiring and connection method and is compatible with control protocols. Its streamlined installation process ensures quick deployment, while secure connections enhance reliability. The modular design makes it easy to expand with additional fixtures or adjust fixture positions as needed.

Tria M

INSTALLATION DETAILS

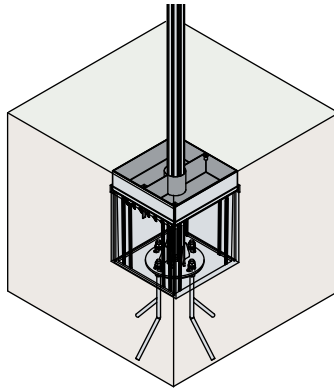
Concrete Anchor

Standard pole system installation on a concrete foundation, providing reliable and long-lasting stability, even in demanding conditions. With this anchoring method, the power supply unit is placed within the pole structure.



Utility Vault

The Utility Vault serves as a pre-installed access point for pole-mounted installations, functioning like an underground junction box. It enables simplified wiring by allowing the main power cable—running from the distribution cabinet—to terminate at the vault. From there, separate cables branch out to nearby luminaires. Depending on the luminaire type, each cable may serve one or multiple fixtures. LED transformers are housed directly within the Tria pole structure, streamlining installation and maintenance.

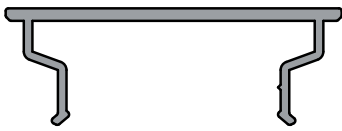


Tria M

OPTIONAL ACCESSORIES

Pole Cover

This replacement cover for an already installed pole system is designed to maintain both safety and functionality. It acts as a durable physical barrier between the pole's internal cabling system and the end user, ensuring reliable protection during operation and maintenance. In addition to its safety role, the cover can also accommodate communication-related components, making it suitable for integrated or smart pole applications.



Electrical Safety

Electrical safety functionality can be integrated to ensure reliable operation and protection under variable electrical conditions. Internal components can be safeguarded against electrical faults, voltage fluctuations, and transient events, while stable power conversion and distribution can be maintained. The availability and implementation of these features are subject to project requirements and should be confirmed in consultation with a sales representative.



User-Accessible options

User-accessible functionality can be integrated to provide on-site power access and charging capabilities for connected devices and equipment. Access points may be protected against unauthorized use and mechanical damage through dedicated protective elements, ensuring safe and reliable operation in public environments. The availability, configuration, and implementation of these features are subject to project requirements and should be confirmed in consultation with a sales representative.



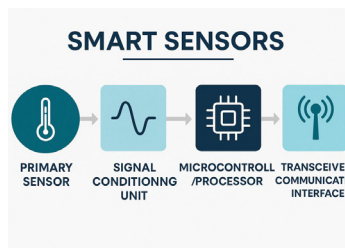
Wireless / Automated Control

Advanced control capabilities may be incorporated to support remote management, adaptive system responses, and intelligent operational behavior. Automatic regulation can be applied based on environmental conditions, detected activity, or predefined schedules, while output levels may be dynamically adjusted to optimize energy efficiency and system performance. The scope and configuration of these features are defined by project requirements and should be confirmed in consultation with a sales representative.



Smart Sensors

Integrated sensing capabilities can be incorporated to enable real-time monitoring of environmental conditions, user presence, system orientation, and surrounding activity. Collected data may be used to support adaptive system behavior, safety-related functions, usage analytics, and responsive control strategies. Protective measures and secure integration can be applied to ensure reliable operation in public environments. Sensor availability, configuration, and functional scope are defined by project requirements and should be confirmed in consultation with a sales representative.



Communications

Communication capabilities may be integrated to enable reliable data exchange, remote connectivity, and system-level interaction with external networks or platforms. Data transmission, device management, and software updates can be supported through wired or wireless interfaces, while local processing and cloud-based integration may be employed to enhance system responsiveness and scalability. Interface availability, communication architecture, and functional scope are defined by project requirements and should be confirmed in consultation with a sales representative.



Tria M

LIGHTING SOLUTIONS

TRION

Scalable projector family for architectural, landscape and feature lighting, enabling precise illumination across a wide range of applications. In Tria M configuration, supports the full range up to Trion 150, covering outputs from approximately 3W up to 60W and 300–4000 lm, allowing both subtle accent lighting and high-impact feature illumination.

TRIFIX

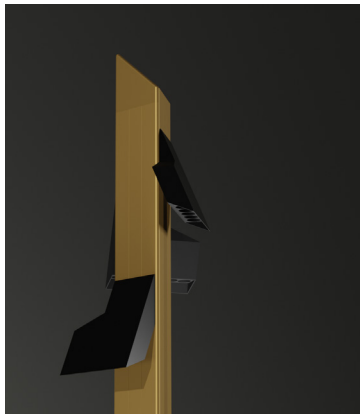
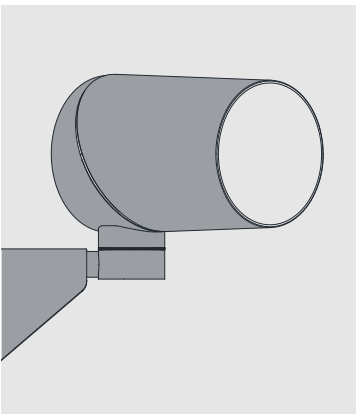
Modular lighting solution for functional outdoor illumination, combining controlled light distribution with integrated louvre design to ensure visual comfort and Dark Sky compliance. In Tria M configuration, supports Trifix S and M variants, covering outputs from approximately 6W up to 15W and 600–1500 lm, enabling both pathway and small-area lighting applications with increased performance and flexibility.

TRIST

Scalable streetlight family with versatile optical distributions, designed to provide efficient and uniform illumination across residential, urban and architectural environments. In Tria M configuration, supports Trist S and M variants, covering outputs from approximately 10W up to 60W and 1000–6000 lm, enabling applications from pedestrian lighting to more demanding street and area illumination.

TRACE

Integrated linear lighting solution designed to enhance and define architectural environments through continuous light lines and visual expression. In Tria M configuration, provides low-output illumination of approximately 5W/m, enabling consistent ambient glow for guidance, spatial orientation and more expressive branding applications across larger installations.



Tria M

COMMUNICATION & BRANDING

Backlit Branding & Patterns

Integrated solution for backlit branding elements, enabling illumination of logos, patterns or custom textures directly within the pole structure. Using Trace Pattern, it provides a continuous glow effect with low-power consumption of approximately 5W/m, ensuring enhanced visibility both day and night while maintaining a clean and consistent architectural appearance.



Artistic & Cultural Displays

System designed to incorporate artistic and cultural elements alongside branding, enabling the integration of artwork, patterns or custom visuals to enhance local identity and contribute to the overall aesthetics of the space.



Static Scene Projection

Incorporate artwork alongside branding to enhance local identity and aesthetics.



Tria M

CONNECTIVITY

Wi-Fi Integration

Enables seamless public internet access, enhancing digital connectivity in urban areas.



Surveillance & Security

Supports cameras and motion sensors for real-time monitoring and improved safety.



Environmental Sensors

Measures air quality, temperature, and other environmental factors, providing valuable urban data.



Motion sensor

The pole-mounted motion sensor detects movement, triggering outdoor lighting for enhanced security and energy efficiency. It ensures real-time responsiveness and optimal illumination.

