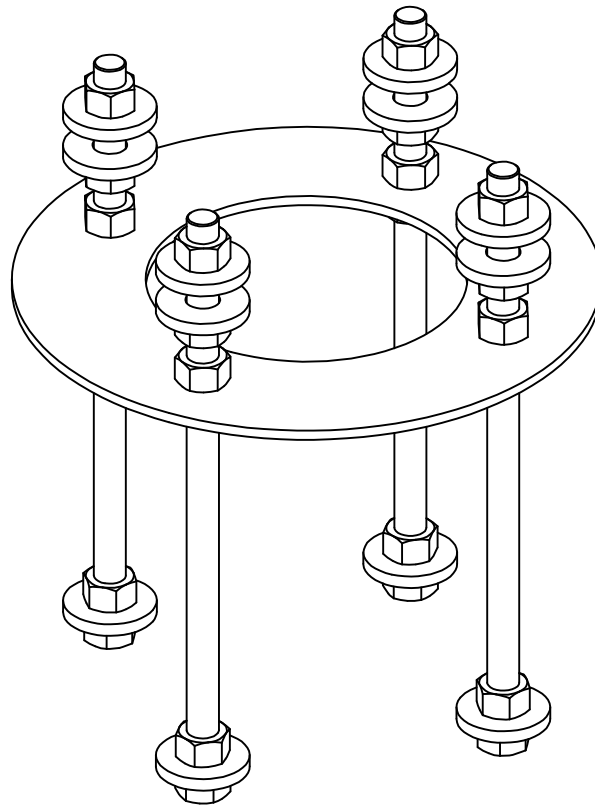


TRIA S ANCHORING INSTALLATION INSTRUCTIONS



ALL DIMENSIONS ARE GIVEN ACCORDING TO THE SI SYSTEM OF UNITS (MM, KG, °C), ADDITIONAL DIMENSIONS THAT ARE WRITTEN IN BRACKETS, ARE GIVEN ACCORDING TO THE U.S. MEASUREMENT SYSTEM (IN, LBS, °F)

GENERAL REMARKS ON SAFETY

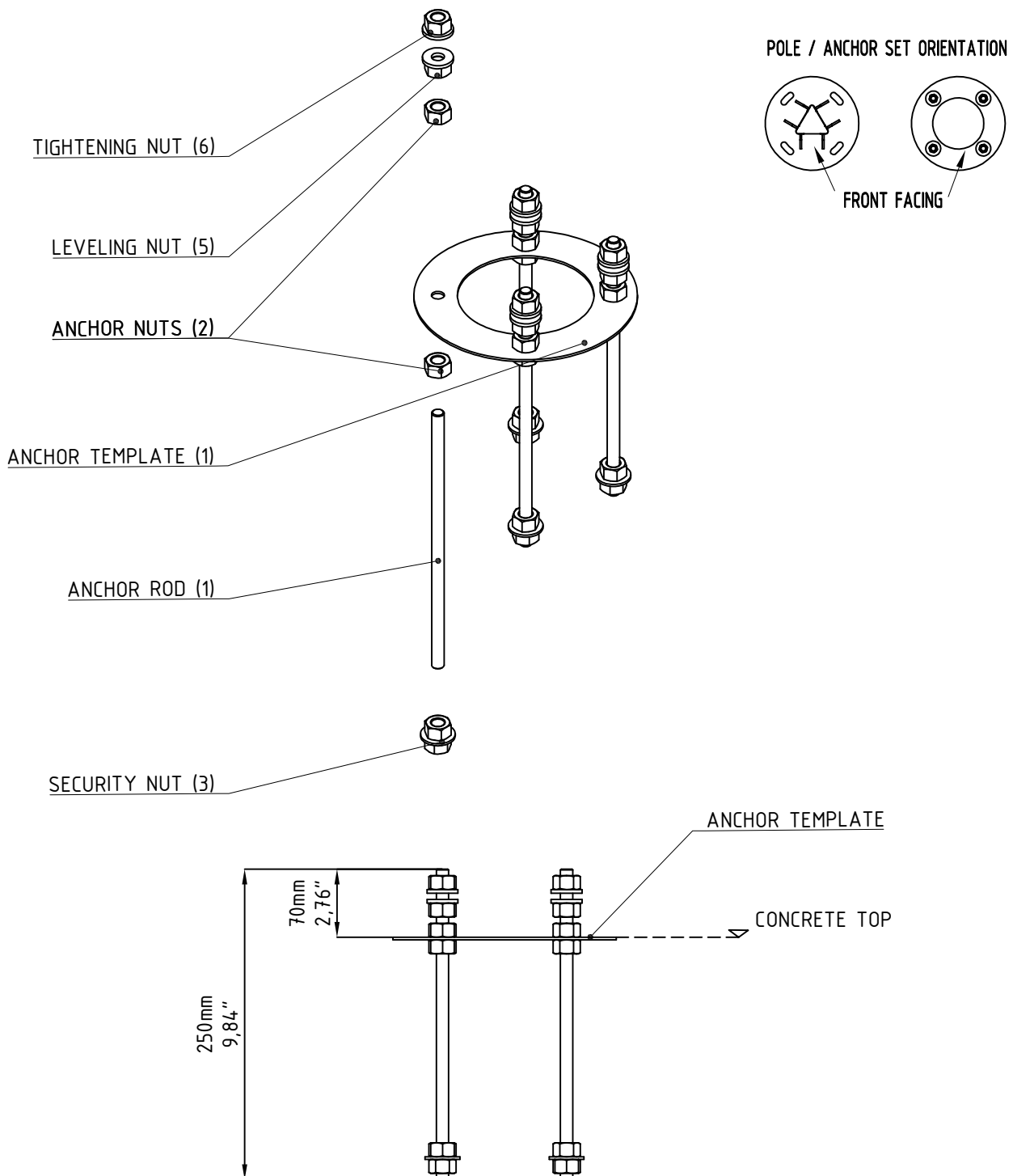
- READ ALL OF THESE INSTRUCTIONS BEFORE INSTALLATION.
- KEEP ALL OF THE INSTRUCTIONS FOR FUTURE REFERENCE.
- INSTALLATION IS TO BE PERFORMED BY A QUALIFIED CONTRACTOR.
- ALL INSTALLATIONS ARE TO CONFORM TO THE STANDARDS OF THE NATIONAL ELECTRICAL CODE AS WELL AS ALL LOCAL JURISDICTIONAL CODES AND REGULATIONS.
- THE MANUFACTURER ACCEPTS NO RESPONSIBILITY FOR DAMAGE TO PERSONS OR PROPERTY ARISING THROUGH IMPROPER USE OR INSTALLATION.
- FOR WARRANTY CONDITIONS PLEASE CONSULT LOCAL SALES REPRESENTATIVE.

ANCHOR SET

1. INSERT THE ANCHOR RODS INTO DESIGNATED HOLES IN THE ANCHOR TEMPLATES
2. SECURE THE COMPONENTS IN PLACE USING THE ANCHOR NUTS. ENSURE THAT 70MM (2,76") OF THE THREADED ROD EXTENDS ABOVE THE ANCHOR TEMPLATE.
3. ON THE LONGER END (BOTTOM) OF EACH ROD, INSTALL A WASHER BETWEEN TWO NUTS. POSITION THIS ASSEMBLY AT THE BOTTOM OF THE ROD AND SECURELY TIGHTEN THE NUTS
4. THE ANCHOR SET IS NOW READY FOR CONCRETE PLACEMENT. ENSURE THAT 70MM (2,76") OF THREADED ROD REMAINS ABOVE THE FINISHED CONCRETE SURFACE, AS THIS LENGTH IS REQUIRED FOR POLE INSTALLATION.

NOTE :

USE TAPE OR ANOTHER SUITABLE METHOD TO PROTECT THE EXPOSED RODS DURING CONCRETE POURING. MAKE SURE THE ANCHOR TEMPLATE IS FULLY IN THE CONCRETE AND LEVEL WITH SURFACE. USE THE REMAINING NUTS AND WASHERS TO LEVEL THE POLE AND TIGHTEN IT SECURELY IN PLACE. CHECK ANCHOR SET ORIENTATION TO ENSURE PROPER POLE MOUNTING



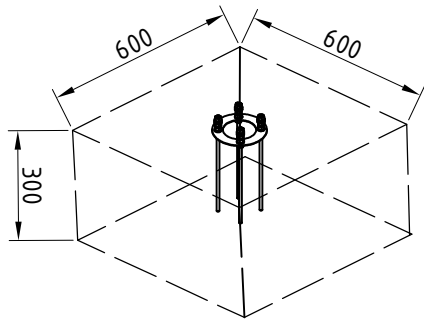
INSTALLATION GUIDE

CONCRETE BASE

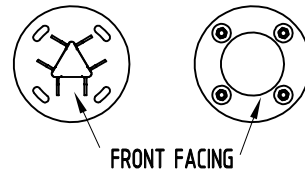
NOTE:

THE CABLE CONDUIT SHALL BE INSTALLED WITH A MINIMUM CLEARANCE OF 40mm ABOVE THE ANCHOR PLATE TO ALLOW FOR LEVELING AND GROUT VARIATION. THE CONDUIT SHALL BE CUT TO MATCH THE FINAL GROUT HEIGHT PRIOR TO POLE PLACEMENT.

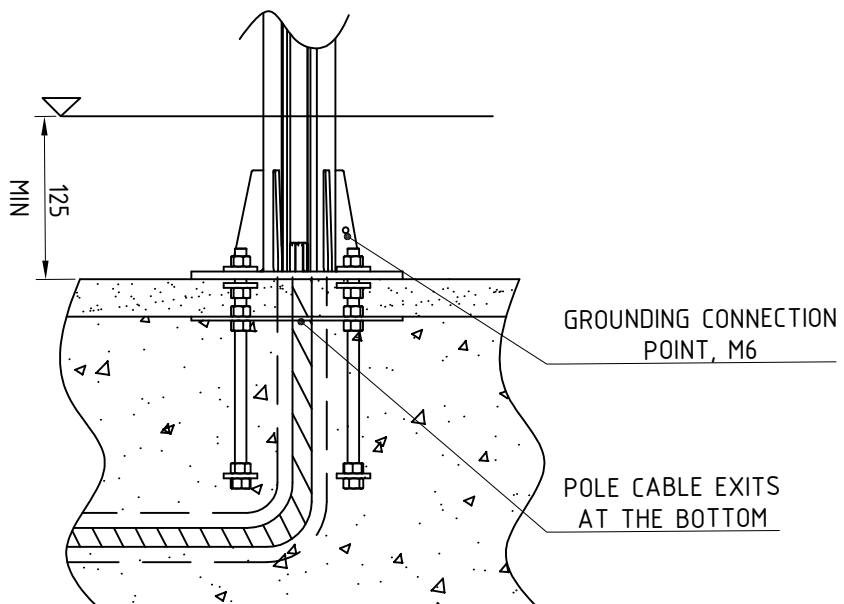
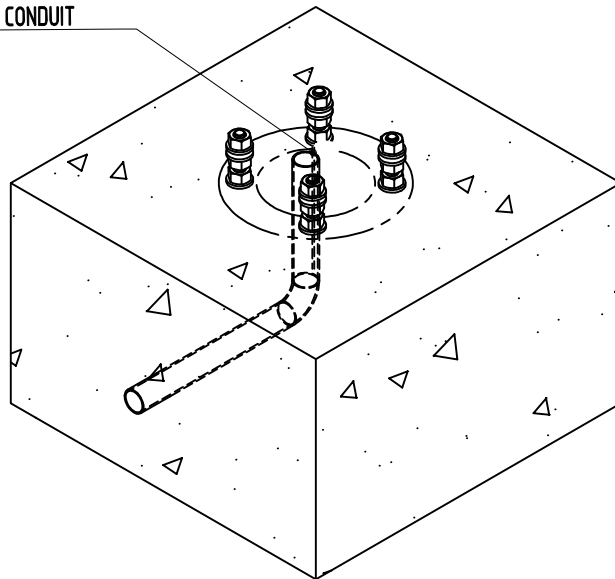
IN THE CONCRETE MOUNTING OPTION, THE POLE CABLE WILL EXIT AT THE BOTTOM OF THE POLE TO FACILITATE EASY ROUTING THROUGH THE CABLE CONDUIT.



POLE / ANCHOR SET ORIENTATION



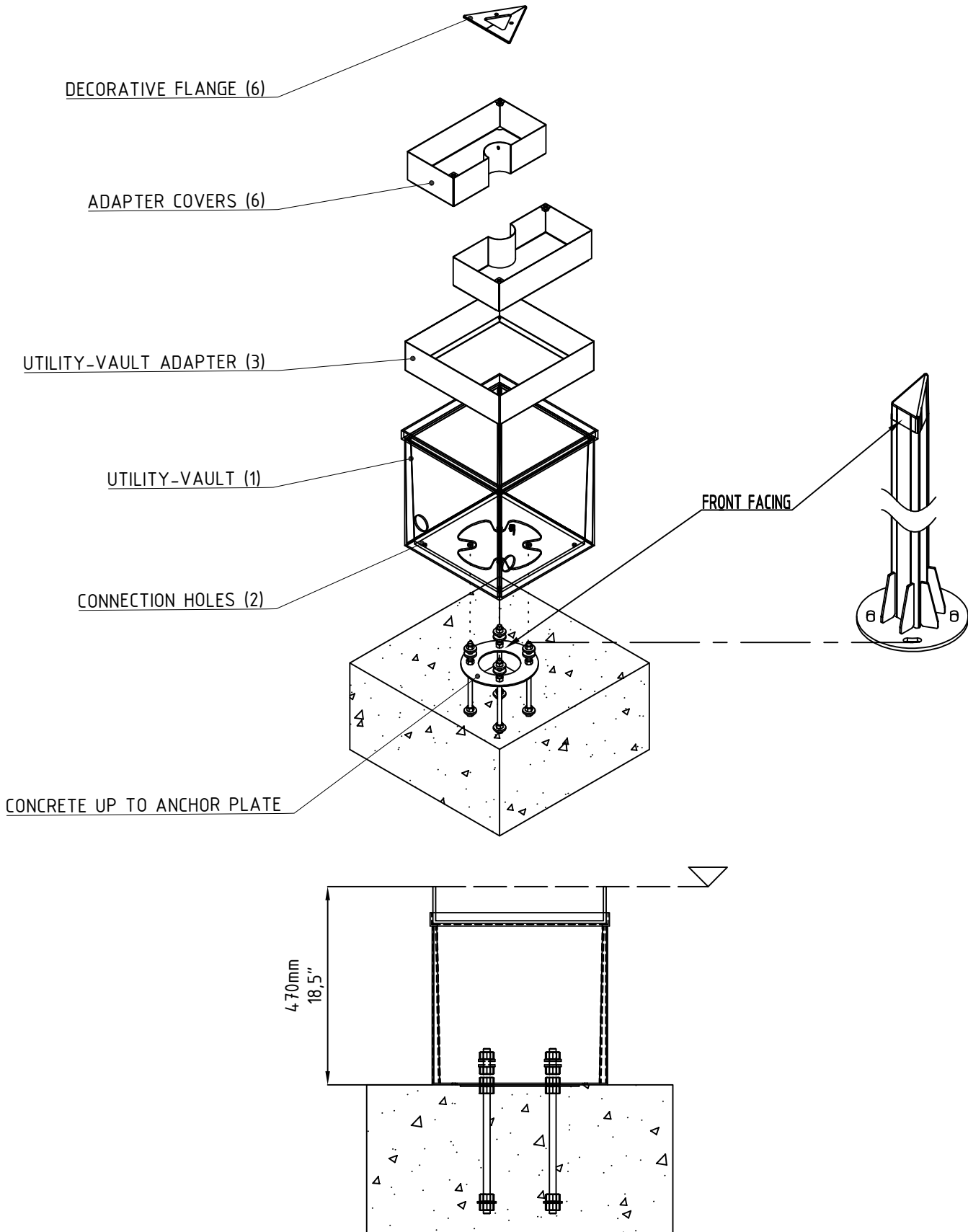
CABLE CONDUIT



INSTALLATION GUIDE

UTILITY - VAULT

1. ONCE THE CONCRETE HAS SET, PLACE THE UTILITY VAULT ON TOP. (THE UTILITY VAULT HAS PRE-CUT HOLES FOR EASY ALIGNMENT ON THE ANCHOR SET.)
2. USE SCREWS TO CONNECT THE UTILITY VAULT TO THE CONCRETE USING THE DESIGNATED HOLES.
3. PLACE UTILITY-VAULT ADAPTER ON TOP
4. CUT AND ROUTE THE CABLE CONDUIT AT THE DESIRED LOCATION ON THE UTILITY VAULT BOX
5. ONCE ALL IS SET, THE SPACE AROUND THE VAULT CAN BE FILLED.
6. ONCE THE POLE IS SET AND SECURED, THE FINAL COVERS AND FLANGE CAN BE INSTALLED TO ACCOMMODATE THE DESIRED INFILL.



INSTALLATION GUIDE

UTILITY - VAULT ALIGNMENT

THE UTILITY VAULT FACE AND THE POLE FACE SHOULD BE ALIGNED TO ENSURE THE COVERS CLOSE PROPERLY AND TO PREVENT THE TOP FLANGE FROM BEING MISALIGNED, ENSURING IT CAN BE PROPERLY FASTENED TO THE COVER BOXES. THE POLE CAN BE ROTATED UP TO 5 DEGREES; ROTATING IT MORE THAN THAT MAY RESULT IN IMPROPER ASSEMBLY.

THE UTILITY VAULT WILL NOT HAVE PRE-CUT CABLE CONDUIT POINTS. THE CUTS SHALL BE MADE BY THE CLIENT AT THE DESIRED LOCATION, TO MAXIMISE FLEXIBILITY DURING CONDUIT ROUTING. IN THE UTILITY VAULT OPTION, THE POLE CABLE WILL EXIT FROM THE SIDE.

